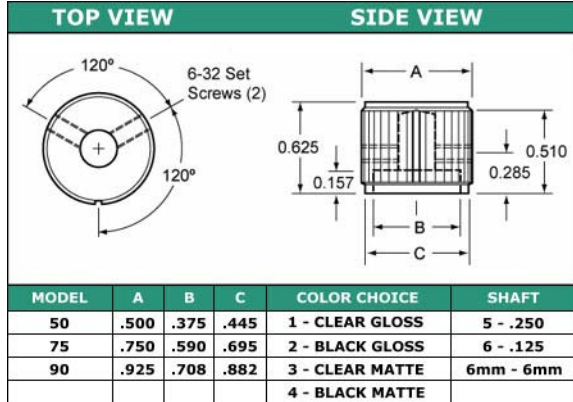


**Mechanical Specifications: DD SERIES**



DD90 - Black Gloss, DD-75 - Black Matte & Clear Gloss, DD50- Clear Matte

**DD Series:** The "DD Series" knob is one of our most popular. The distinctive styling along with the straightforward functionality makes this knob an outstanding selection for any panel application. Saw cut indicator line on front length. Two 6-32 set screws.



Copyright ©2003 Kilo International, Inc.

close