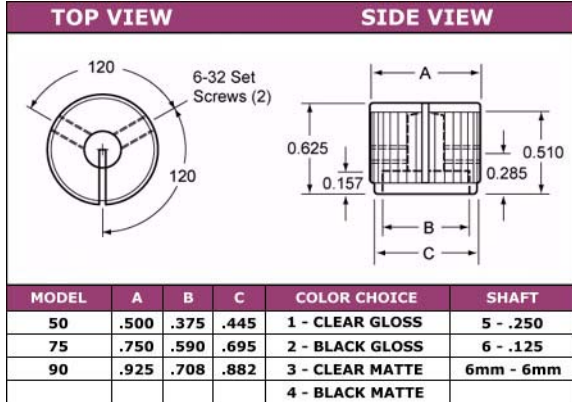


Mechanical Specifications: JD SERIES



JD90 - Black Gloss, JD75 - Black Matte & Clear Gloss, JD50 - Clear Matte

JD Series: The "JD Series" knob is simple, yet very traditional in appearance and feel. The look of this knob is long established and well respected. Saw cut indicator line is on half of the top and full-length of the side. Two 6-32 set screws.



Copyright ©2003 Kilo International, Inc.

close