

4

3

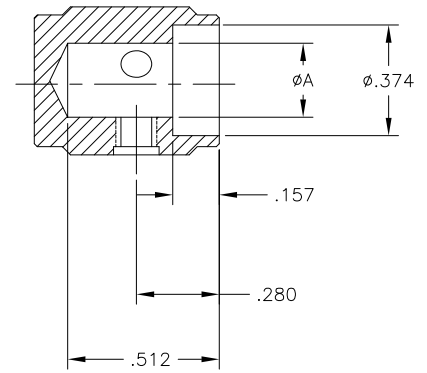
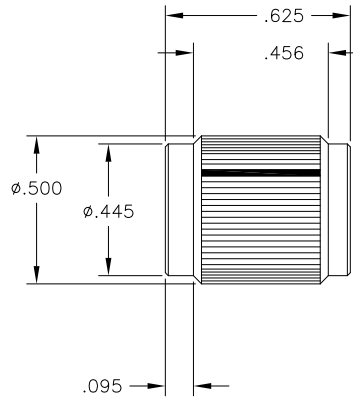
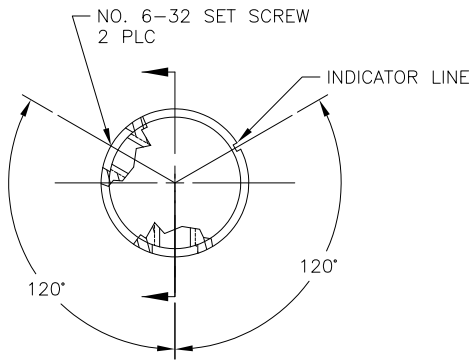
2

1

THIS DRAWING IS UNPUBLISHED. RELEASED FOR PUBLICATION
 © COPYRIGHT - By - ALL RIGHTS RESERVED.

LOC AD DIST 00

REVISIONS					
P	LTR	DESCRIPTION	DATE	DWN	APVD
A1		REVISED PER ECO-11-004917	11MAR11	RK	HMR



- 1 KNOB: ALUMINUM; SET SCREWS: STAINLESS STEEL
- 2 FINISH: ANODIZED - SEE TABLE
- 3. WAS DRAWING NUMBER 80253

.251	NONE	BLACK	BLACK	KN500B1/4NL	1571193-1
	WHITE	NATURAL	BLACK	KN500BA1/4	4-1437622-8
	BLACK	BLACK	NATURAL	KN500AB1/4	4-1437622-4
	WHITE	BLACK	BLACK	KN500B1/4	4-1437622-6
.126	BLACK	NATURAL	NATURAL	KN500A1/4	4-1437622-2
	WHITE	NATURAL	BLACK	KN500BA1/8	4-1437622-9
	BLACK	BLACK	NATURAL	KN500AB1/8	4-1437622-5
	WHITE	BLACK	BLACK	KN500B1/8	4-1437622-7
A	BLACK	NATURAL	NATURAL	KN500A1/8	4-1437622-3
	INDICATOR LINE	TOP COLOR	BODY COLOR	MODEL NUMBER	PART NUMBER

THIS DRAWING IS A CONTROLLED DOCUMENT. DWN M. BINNER 030E202
 CHK M. ZITTO
 APVD M. ZITTO NAME
 PRODUCT SPEC
 APPLICATION SPEC
 WEIGHT -

STE TE Connectivity
 KNOB, STRAIGHT KNURL
 HAIRLINE INDICATOR (KN-500)

DIMENSIONS: INCHES TOLERANCES UNLESS OTHERWISE SPECIFIED:
 0 PLC ± -
 1 PLC ± -
 2 PLC ± -
 3 PLC ± .020
 4 PLC ± -
 ANGLES ± -

MATERIAL FINISH 1

SIZE A3 CAGE CODE 00779 DRAWING NO C-4-1437622-6 RESTRICTED TO -
 CUSTOMER DRAWING SCALE 3:1 SHEET 1 OF 1 REV A1