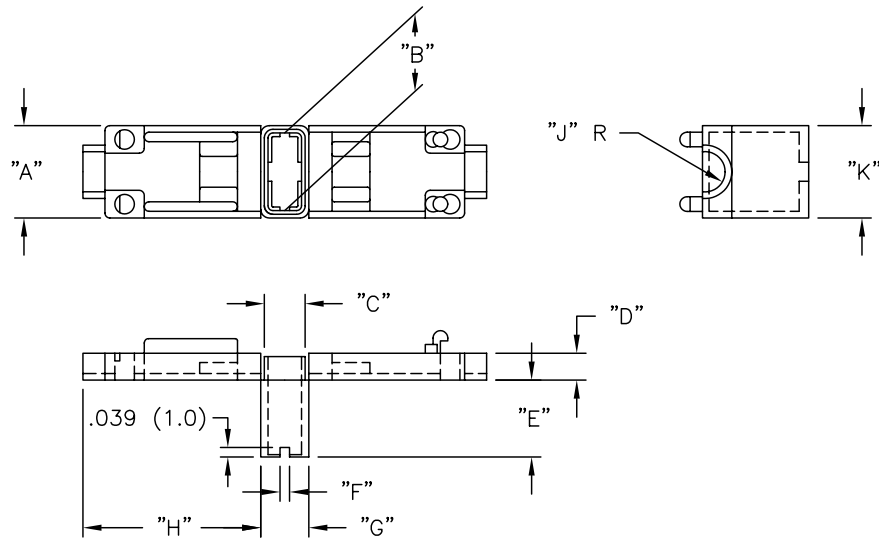


| PART NO. | TERMINAL TYPE               | WIRE DIA.     | "A"           | "B"           | "C"           | "D"           | "E"           | "F"           | "G"           | "H"            | "J"           | "K"           | U.L. CAT. NO. |
|----------|-----------------------------|---------------|---------------|---------------|---------------|---------------|---------------|---------------|---------------|----------------|---------------|---------------|---------------|
| OS-110   | STRAIGHT TYPE<br>110 SERIES | 7/64<br>(3.0) | .307<br>(7.8) | .157<br>(4.0) | .087<br>(2.2) | .091<br>(2.3) | .268<br>(6.8) | .031<br>(0.8) | .165<br>(4.2) | .708<br>(18.0) | .059<br>(1.5) | .236<br>(6.0) | 52            |
| OS-187   | STRAIGHT TYPE<br>187 SERIES | 9/64<br>(3.6) | .331<br>(8.4) | .236<br>(6.0) | .102<br>(2.6) | .105<br>(2.7) | .268<br>(6.8) | .039<br>(1.0) | .165<br>(4.2) | .693<br>(17.6) | .071<br>(1.8) | .299<br>(7.6) | 51            |
| OS-205   | STRAIGHT TYPE<br>205 SERIES | 9/64<br>(3.6) | .339<br>(8.6) | .260<br>(6.6) | .118<br>(3.0) | .102<br>(2.6) | .276<br>(7.0) | .039<br>(1.0) | .181<br>(4.6) | .693<br>(17.6) | .071<br>(1.8) | .331<br>(8.4) | 51            |
| OS-250   | STRAIGHT TYPE<br>250 SERIES | 5/32<br>(3.8) | .378<br>(9.6) | .315<br>(8.0) | .134<br>(3.4) | .110<br>(2.8) | .315<br>(8.0) | .039<br>(1.0) | .197<br>(5.0) | .728<br>(18.5) | .075<br>(1.9) | .378<br>(9.6) | 50            |



NOTES:

- MATERIAL: NYLON 6, RMS-120, UL NO. E53664
- COLOR: NATURAL.

|   |   |  |             |            |
|---|---|--|-------------|------------|
| TITLE: "ONE TOUCH" SLEEVE INSULATOR (OS SERIES)                             |   | DWG IN IN (MM)   | FINAL       | PRINT TYPE |
| TOLERANCES UNLESS NOTED<br>.XX=±.010<br>.XXX=±.005<br>FRAC=±1/64<br>ANG=±1' | FILE # OS<br>MAT'L: SEE NOTES<br>RE: RICHCO, INC. | DWN: P.B.<br>DT: 05-10-94                                      | APP:<br>DT: | CA         |
| PART # SEE TABLE  |   | RICHCO INC.<br>PO BOX 804238, CHICAGO, 60680<br>(773) 539-4060 |             |            |

|     |                                      |             |
|-----|--------------------------------------|-------------|
| B   | RMS-120 WAS RMS-61; CHANGED FILE NO. | SM 10.25.01 |
| A   | RMS-61 WAS RMS-28                    | PB 102794   |
| REV | DESCRIPTION                          | ENGR DATE   |