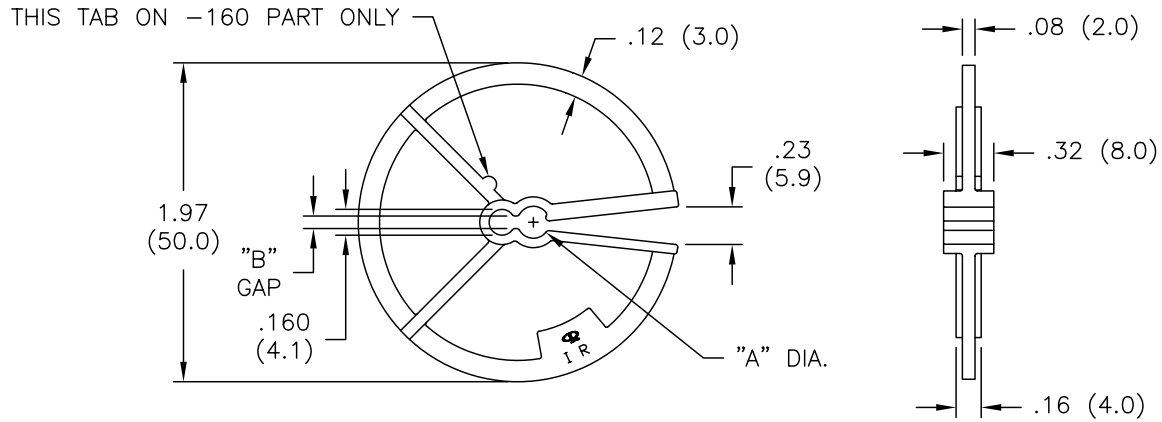


NYLON 6/6 (RMS-01) COLOR: NATURAL PART NO.	FLAME RETARDANT NYLON, (RMS-19) COLOR: NATURAL PART NO.	DIM. "A"	DIM. "B"
IR-160-01	IR-160-19	.160 (4.1)	.080 (2.0)
IR-200-01	IR-200-19	.200 (5.1)	.080 (2.0)
*IR-4151-01	*IR-4151-19	.200 (5.1)	.113 (3.0)

*PARTS AVAILABLE BY SPECIAL ORDER ONLY



NOTES:
1. ALL DIMENSIONS ARE REFERENCE ONLY.

REV		DESCRIPTION		ENGR DATE		TITLE: INSULATOR RING		DWG IN IN (MM)		FINAL		PRINT TYPE	
C		SEE CO 200035 FOR CHANGES		SK	09.26.07	TOLERANCES UNLESS NOTED	FILE # IR	DWN: P.B.	APP:	PART #		PRINT TYPE	
B		MOVED MAT'L NOTE TO TABLE, ADDED NOTE 1. CHANGED FILE NO. AND TITLE BLOCK		SM	06.26.01	.XX=±.010 .XXX=±.005 FRAC=±1/64 ANG=±1°	MAT'L: SEE NOTES	DT: 02-28-94	DT:	SEE TABLE		CA	
A		ADDED TAB NOTE, FIXED TAB SIDE VIEW.		RG10	31/00		RE: RICHCO, INC.	RICHCO INC. PO BOX 804238, CHICAGO, 60680 (773) 539-4060					