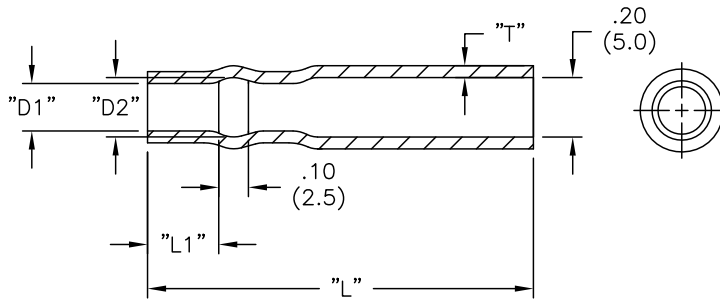


PART #	WIRE O.D. RANGE	WIRE Gd.	"D1"	"D2"	"L1" ±.04 (±1.0)	"L" ±.04 (±1.0)	"T"
215025	.058-.091	22-18	.10(2.5)	.16(4.0)	.24(6.0)	1.30(33.0)	.04(1.0)
215032	.071-.126	18-16	.13(3.2)	.18(4.5)	.28(7.0)	1.34(34.0)	.04(1.0)



NOTES:

1. MATERIAL: SOFT PVC (RMS-55).
2. COLOR: TRANSPARENT BLUE.

TITLE: INSULATING SLEEVE FOR PIN RECEPTACLE			DWG IN IN (MM)		PR		
TOLERANCES UNLESS NOTED .XX=±.010 .XXX=±.005 FRAC=±1/64 ANG=±1°			FILE # 2150XX	DWN: D.D.		APP:	
C	SEE CO 200604 FOR CHANGES	SK 12.01.10	MAT'L: SEE NOTES	DT: 05-21-96	DT:	PART # SEE TABLE	PRINT TYPE CA
B	SEE CO 200041 FOR CHANGES	SK 09.28.07	RE: RICHCO, INC.	RICHCO INC. PO BOX 804238, CHICAGO, 60680 (773) 539-4060			
A	CHANGED FILE NO. AND TITLE BLOCK	SM 03.21.02					
REV	DESCRIPTION	ENGR DATE					