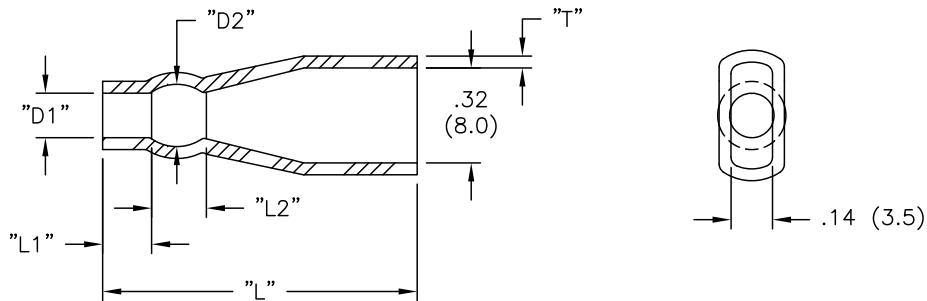


RICHCO PART NO.	WIRE O.D. RANGE	WIRE GA.	"D1"	"D2" REF.	"L1" ±.04 (1.0)	"L2" REF.	"L" ±.04 (1.0)	"T" ±.008 (0.2)
238032	.071-.126 (1.8-3.2)	18-16	.13 (3.2)	.19 (4.7)	.20 (5.0)	.10 (2.5)	.95 (24.0)	.04 (1.0)
238035	.071-.140 (1.8-3.6)	18-14	.14 (3.5)	.18 (4.5)	.20 (5.0)	.12 (3.0)	.95 (24.0)	.04 (1.0)
238040	.091-.140 (2.3-3.6)	16-14	.16 (4.0)	.20 (5.0)	.20 (5.0)	.12 (3.0)	.97 (24.5)	.04 (1.0)
238048	.113-.190 (2.9-4.8)	14-12	.19 (4.8)	.25 (6.3)	.20 (5.0)	.10 (2.5)	.98 (25.0)	.04 (1.0)



NOTES:

- MAT'L: SOFT PVC (RMS-55)
UL YELLOW CARD E81260
- COLOR: TRANSPARENT BLUE

G	SEE CO 200604 FOR CHANGES	SK 12.01.10	TITLE: "QUICK FIT" INSULATOR-250 SERIES			DWG IN	FINAL	PRINT TYPE
F	SEE CO 200041 FOR CHANGES	SK 09.28.07	FILE # 2380XX	DWN: P.B.	DT: 08-03-94	IN (MM)		
E	SEE ECN #863 FOR CHANGES	SM 10.04.04	TOLERANCES UNLESS NOTED .XX=±.010 .XXX=±.005 FRAC=±1/64 ANG=±1°	MAT'L: SEE NOTES	CHKD:	ENGR:	PART #	CA
D	CHANGED FILE NO. AND TITLE BLOCK	SM 10.30.02	RE: RICHCO, INC.	RICHCO INC. PO BOX 804238, CHICAGO, 60680 (773) 539-4060		SEE TABLE		
C	ADDED REF. TO "D2" & "L2" AND TOL. TO "T"	DLC 09.13.01						
B	"L1" WAS FROM .20 & "L" WAS FROM 1.06	JB 04.26.96						
A	CONVERTED TO ACAD	PB 08.03.94						
REV	DESCRIPTION	ENGR DATE						