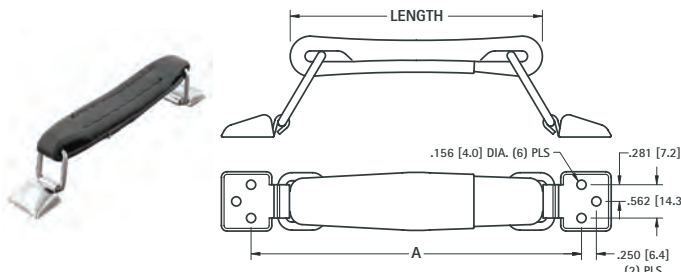


HANDLES



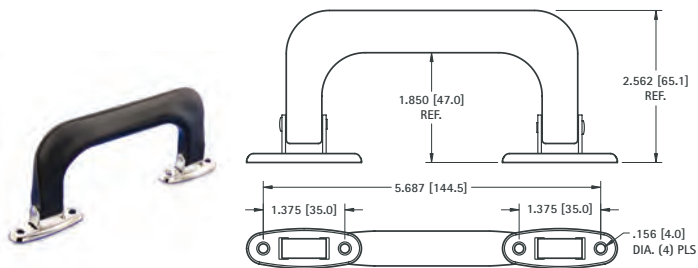
This retractable handle is manufactured with black leather-like material and Nickel Plated steel hardware. Handle folds flat when not in use. Mounts with #6 screws (not supplied).



CAT. NO.	LENGTH	A
8351	4.500 (114.3)	6.000 (152.4)
8352	5.500 (139.7)	7.000 (177.8)
8353	6.000 (152.4)	7.500 (190.5)

MATERIAL:
Grip: Leather like, Black
Hardware: Steel, Nickel Plate

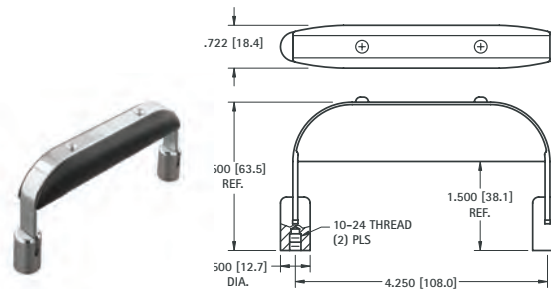
Folds flat on case when not in use. Mounts with rivets or #6 screws (not supplied).



MATERIAL:
Grip: Polypropylene, Black
Post: Steel, Nickel Plate
Pin: Steel, Nickel Plate

CAT. NO.	COLOR
8356	BLACK

Folds flat on case when not in use. Mounts with #10-24 hardware supplied.

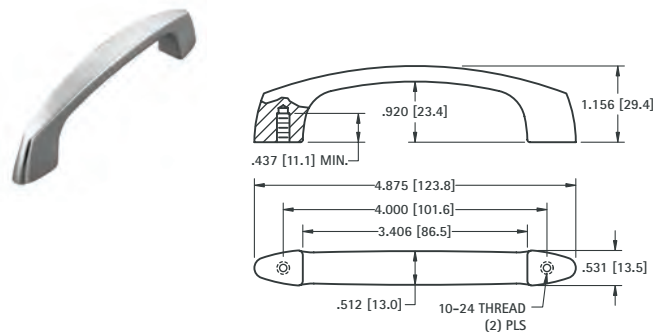


MATERIAL:
Grip: High Impact Styrene, Black
Rim: Steel, Nickel Plate
Post: Brass, Nickel Plate

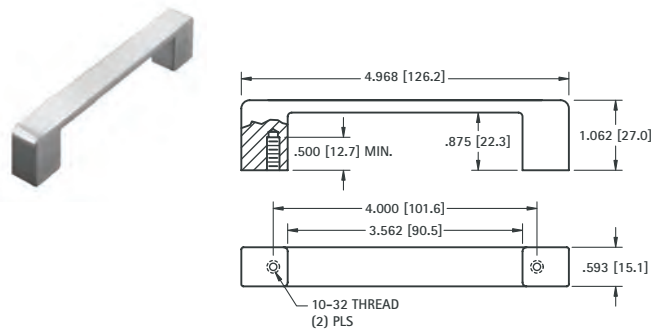
CAT. NO.	COLOR
8354	BLACK

CONTEMPORARY HANDLES

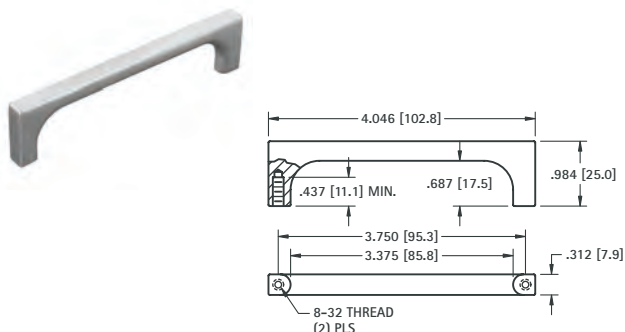
MATERIAL: Zinc, Satin Brushed, Nickel Plate



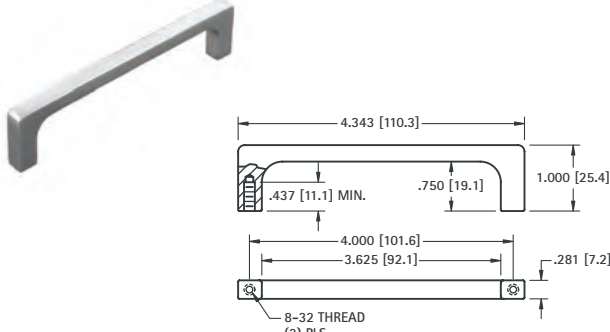
CAT. NO. 7197



CAT. NO. 7196



CAT. NO. 7199



CAT. NO. 7198