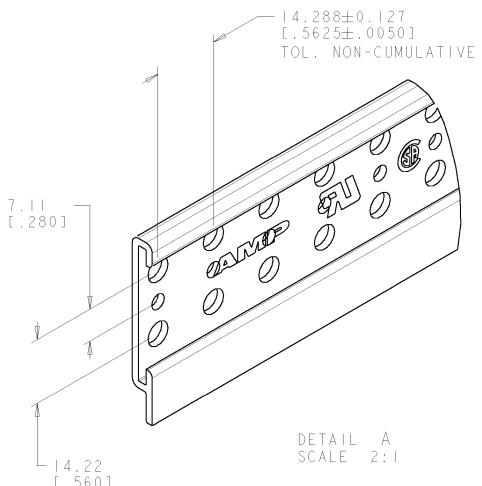


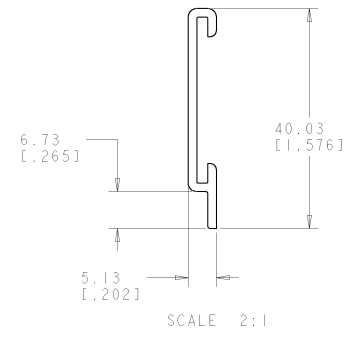
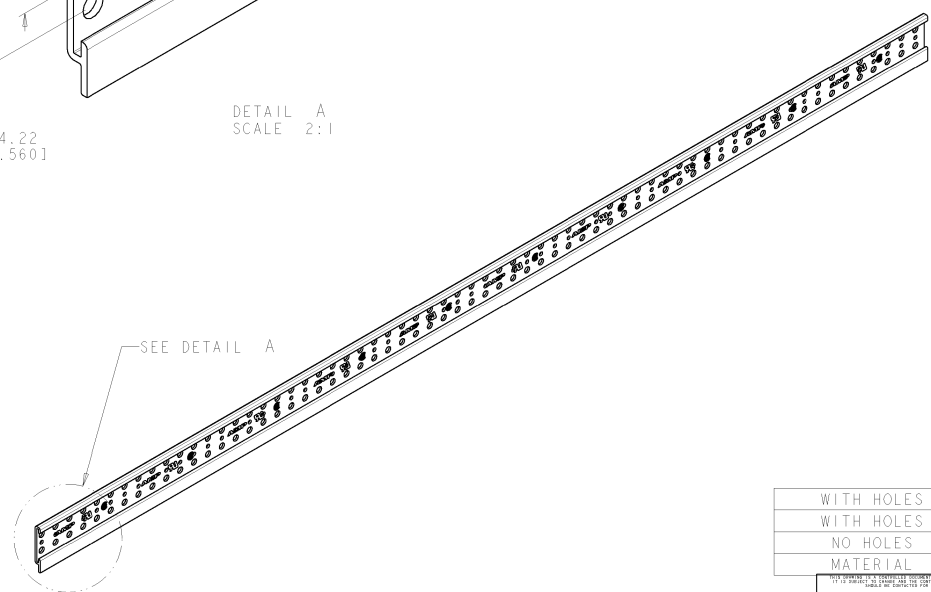
THIS DRAWING IS UNPUBLISHED. RELEASED FOR PUBLICATION BY TYCO ELECTRONICS CORPORATION. ALL RIGHTS RESERVED.

REV	DATE	BY	CHKD	DESCRIPTION
A	090202	GG	MD	REDWN. REV; EC 0B40-0263-02
B	090403	GG	MD	REV; EC 0B40-0001-03



DETAIL A
SCALE 2:1

1. MATERIAL: NORYL EN265, 1.57 [0.062] THICK.



SCALE 2:1

WITH HOLES	241.3 [9.50] ± 3.18 [0.125]	604199-7
WITH HOLES	914.4 [36.00] +19.05 [0.75] / -0	604199-4
NO HOLES	914.4 [36.00] +19.05 [0.75] / -0	604199-2
MATERIAL	LENGTH	PART NUMBER

DIMENSIONS: MM (INCHES)		DIMENSIONS: DECIMALS (FRACTIONS)		DWN: G GARRETT 090202 CHK: M DELPHIAS 090202 APPR: M DELPHIAS 090202	tyco Electronics Tyco Electronics Harrisburg, PA 17105-3400
DIMENSIONS: D: PLC H: PLC R: PLC S: PLC T: PLC ANGLES: FINISH:	DIMENSIONS: D: PLC H: PLC R: PLC S: PLC T: PLC ANGLES: FINISH:	PRODUCT SPEC: APPLICATION SPEC: WEIGHT: CUSTOMER DRAWING	PRODUCT SPEC: APPLICATION SPEC: WEIGHT: CUSTOMER DRAWING	SIZE: A2 CASE CODE: 00779 DRAWING NO: 604199	RESTRICTED TO: SCALE: 1:2 SHEET: 1 OF 1 REV: B

AMP 1471-B REV 01MAR2000
PFA/ENGINEER DRAWING