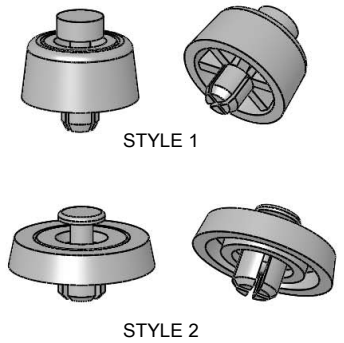
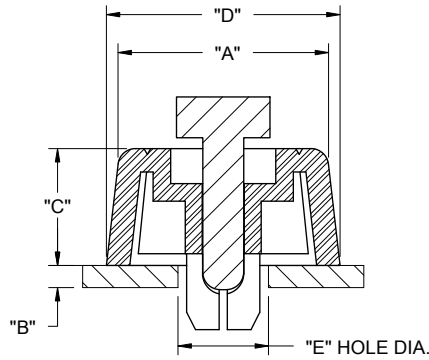
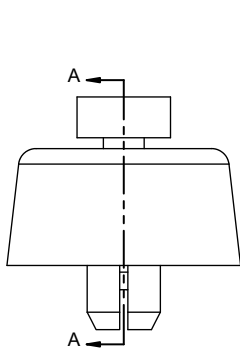


| PART NO. | "A" REF | "B" THICKNESS RANGE | "C" REF | "D" REF | "E" ±.002 [0.05] DIA. HOLE | STYLE |
|----------|----------|---------------------|-----------|----------|----------------------------|-------|
| SFF-018 | .71 [18] | .031-.059 [0.8-1.5] | .39 [10] | .79 [20] | .305 [7.75] | 1 |
| SFF-021 | .79 [20] | .197-.315 [5-8] | .24 [6] | .83 [21] | .305 [7.75] | 1 |
| SFF-023 | .91 [23] | .031-.059 [0.8-1.5] | .20 [5] | .98 [25] | .305 [7.75] | 2 |
| SFF-028 | .71 [18] | .031-.059 [0.8-1.5] | .59 [15.] | .79 [20] | .305 [7.75] | 1 |



NOTES:

1. MATERIAL: FOOT: SANTOPRENE (RMS-42), 86 DUROMETER, SHORE A
PIN: POLYPROPYLENE (RMS-126)
2. COLOR: BLACK.
3. SHEAR FORCE: 10 KG MIN.

| TITLE: SOFT FAST FEET | | | DWG IN IN [MM] | | FINAL | | PRINT TYPE | |
|-------------------------------------|------------------|--------------------|----------------|-----------|-------|------------|------------|--|
| CREATED USING SOLIDWORKS | FILE #: SFF | DWN: SK | APP: R.T. | | | | | |
| TOLERANCES UNLESS NOTED | SHEET: 1 OF 1 | DT: 01/12/07 | CHKD: D.Z. | | | PART # | | |
| .XX±.010 | RE: RICHCO, INC. | RICHCO, INC. | | SEE TABLE | | PRINT TYPE | | |
| .XXX±.005 | | ENG@RICHCO-INC.COM | | | | CA | | |
| FRAC. = ±1/64 | | (773) 539-4060 | | | | | | |
| ANG. = ±1° | | | | | | | | |
| REV. DESCRIPTION | ENGR. DATE | | | | | | | |
| H SEE CO200413 FOR CHANGES | SK 08/12/09 | | | | | | | |
| G SEE ECN #1271 FOR CHANGES | SK 01/12/07 | | | | | | | |
| - SEE ENGINEERING FOR REVISIONS A-F | --- | | | | | | | |