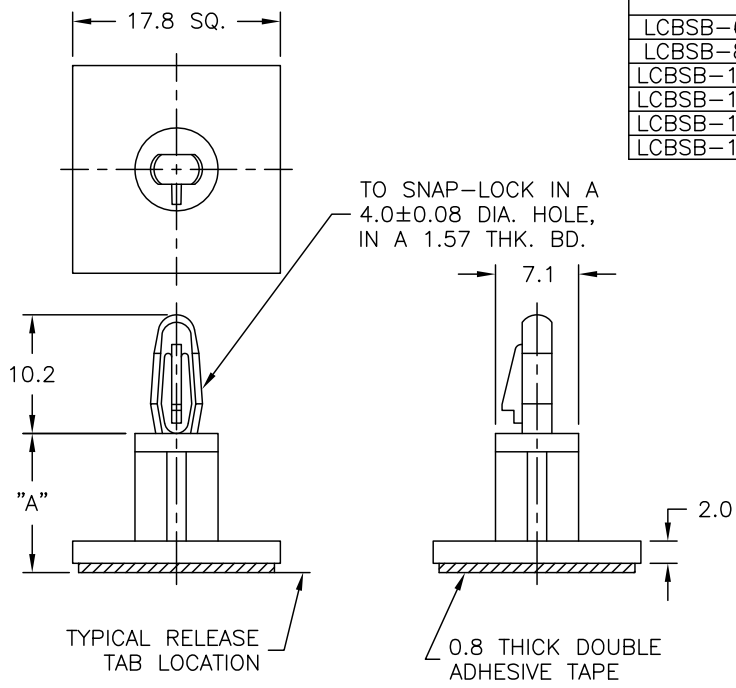


PART NO.	DIM "A" ±0.4
LCBSB-6M-01A-RT	6.0
LCBSB-8M-01A-RT	8.0
LCBSB-10M-01A-RT	10.0
LCBSB-12M-01A-RT	12.0
LCBSB-14M-01A-RT	14.0
LCBSB-16M-01A-RT	16.0



NOTES:

- MATERIAL: NYLON 6/6 (RMS-01).
FLAME RETARDANT, NYLON (RMS-19),
AVAILABLE BY SPECIAL ORDER ONLY.
- COLOR: NATURAL.
BLUE AVAILABLE BY SPECIAL ORDER ONLY.
- PART ALSO AVAILABLE WITHOUT ADHESIVE.
TO ORDER REMOVE "A-RT" FROM P/N.
FOR NEW "A" DIM. SUBTRACT 0.8
- ACRYLIC ADHESIVE TAPE (RMS-15),
WHITE LINER.

TITLE: LOCKING CKT. BD. SUPPORT ON BASE (METRIC)			DWG IN MM	
TOLERANCES UNLESS NOTED .X=±0.25 .XX=±0.13 ANG=±1°	FILE # LCBSB-M MAT'L: SEE NOTES RE: RICHCO, INC.	DWN: P.B. DT: 01-04-95	APP: DT:	FINAL
PART # SEE TABLE			PRINT TYPE CA	

C	SEE CO 200290 FOR CHANGES	SK 12.04.08
B	UPDATED NOTES AND CHANGED FILE NO.	SM 07.31.02
A	GIVEN NEW FILE NUMBER	JB 09.05.95
REV	DESCRIPTION	ENGR DATE