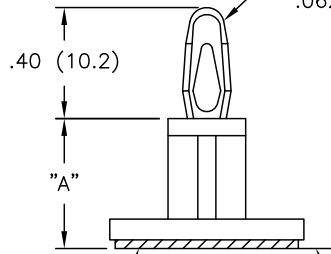


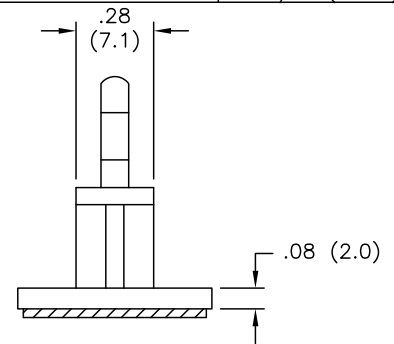
TO SNAP-FIT IN A .156±.003
(4.00±0.08) DIA. HOLE, IN A
.062 (1.57) THICK BOARD



1/32 (0.8) THICK,
DOUBLE SIDED
ADHESIVE TAPE

TYPICAL RELEASE
TAB LOCATION

PART NO.	"A" ±.015 (±0.4)
CBSB-3-01A-RT	3/16 (4.8)
CBSB-4-01A-RT	1/4 (6.4)
CBSB-6-01A-RT	3/8 (9.5)
CBSB-8-01A-RT	1/2 (12.7)
CBSB-9-01A-RT	9/16 (14.3)
CBSB-10-01A-RT	5/8 (15.9)
CBSB-12-01A-RT	3/4 (19.1)
CBSB-14-01A-RT	7/8 (22.2)
CBSB-16-01A-RT	1 (25.4)
CBSB-18-01A-RT	1-1/8 (28.6)



NOTES:

- MAT'L: NYLON 6/6 (RMS-01).
FLAME RETARDANT, NYLON (RMS-19),
AVAILABLE BY SPECIAL ORDER ONLY.
- COLOR: NATURAL.
- ACRYLIC ADHESIVE TAPE (RMS-15), WHITE LINER.
PART ALSO AVAILABLE WITHOUT TAPE.
TO ORDER REMOVE "A-RT" FROM PART NO.
[SUBTRACT 1/32 (0.8) FROM "A" DIM]

TITLE: CIRCUIT BOARD SUPPORT ON BASE		DWG IN IN (MM)	FINAL	PR
TOLERANCES UNLESS NOTED .XX=±.010 .XXX=±.005 FRAC=±1/64 ANG=±1°	FILE # CBSB MAT'L: SEE NOTES RE: RICHCO, INC.	DWN: P.B. DT: 02-06-95	APP: DT:	PART # SEE TABLE
C SEE CO 200324 FOR CHANGES SK 02.11.09	B UPDATED NOTES AND CHANGED FILE NO. SM 05.08.02	A MAT'L RMS-19 ADDED J.L. 12.18.97	REV DESCRIPTION ENGR DATE	PRINT TYPE CA
RICHCO INC. PO BOX 804238, CHICAGO, 60680 (773) 539-4060				