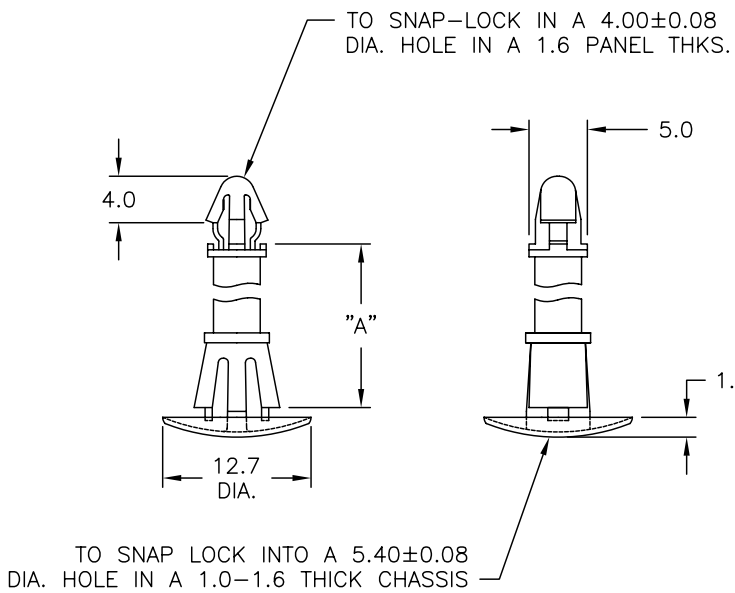


PART NO.	"A"±0.4
CRLCBSK-2-8-01	8.0 mm
CRLCBSK-2-10-01	10.0 mm
CRLCBSK-2-12-01	12.0 mm
CRLCBSK-2-14-01	14.0 mm



NOTES:

1. MATERIAL: NYLON 6/6 (RMS-01).
COLOR: NATURAL.
2. FLAME RETARDANT NYLON (RMS-19),
AVAILABLE BY SPECIAL ORDER ONLY.

TITLE: CUPPED REVERSE LOCKING CIRCUIT BOARD SUPPORT (METRIC)				DWG IN METRIC	
TOLERANCES UNLESS NOTED X.X=±0.25 X.XX=±0.13 ANG=±1°	FILE # CRLCBSK-2 MAT'L: SEE NOTES	DWN: J.B. DT: 12-18-96	APP: DT:	PART # SEE TABLE	PRINT TYPE CA
B UPDATED PRINT SM 02.07.02 A ADDED NOTE 2. & CHANGED FILE NUMBER SM 09.04.01 REV DESCRIPTION ENGR DATE	RE: RICHCO, INC.	RICHCO INC. PO BOX 804238, CHICAGO, 60680 (773) 539-4060			