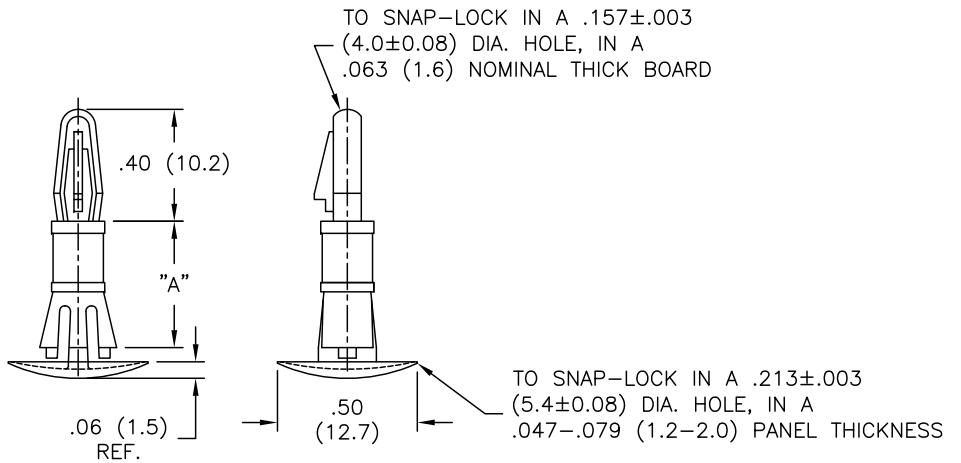


PART NO.	DIM. "A"
CRLCBSRE-4-01	1/4 (6.4) ±.015(0.4)
CRLCBSRE-6-01	3/8 (9.5)
CRLCBSRE-8-01	1/2 (12.7)
CRLCBSRE-10-01	5/8 (15.9)



NOTES:

- MATERIAL: NYLON 6/6 (RMS-01).
FLAME RETARDANT, NYLON (RMS-19),
AVAILABLE BY SPECIAL ORDER ONLY.
TO ORDER, REPLACE "-01" WITH "-19"
- COLOR: NATURAL.
BLACK, AVAILABLE BY SPECIAL ORDER ONLY.
TO ORDER, ADD "BK" TO PART NO.

TITLE: CUPPED REVERSE LOCKING CBS, ROUND HOLE, ENGLISH				DWG IN IN (MM)	FINAL	PR
TOLERANCES UNLESS NOTED .XX=±.010 .XXX=±.005 FRAC=±1/64 ANG=±1°	FILE # CRLCBSRE	DWN: P.B.	APP:	PART #		PRINT TYPE
MAT'L: SEE NOTES	RE: RICHCO, INC.	DT: 07-11-95	DT:	SEE TABLE		CA
		RICHCO INC. PO BOX 804238, CHICAGO, 60680 (773) 539-4060				

B	SEE CO 200080 FOR CHANGES	SK 12.04.07
A	UPDATED NOTES AND CHANGED FILE NO.	SM 05.09.02
REV	DESCRIPTION	ENGR DATE