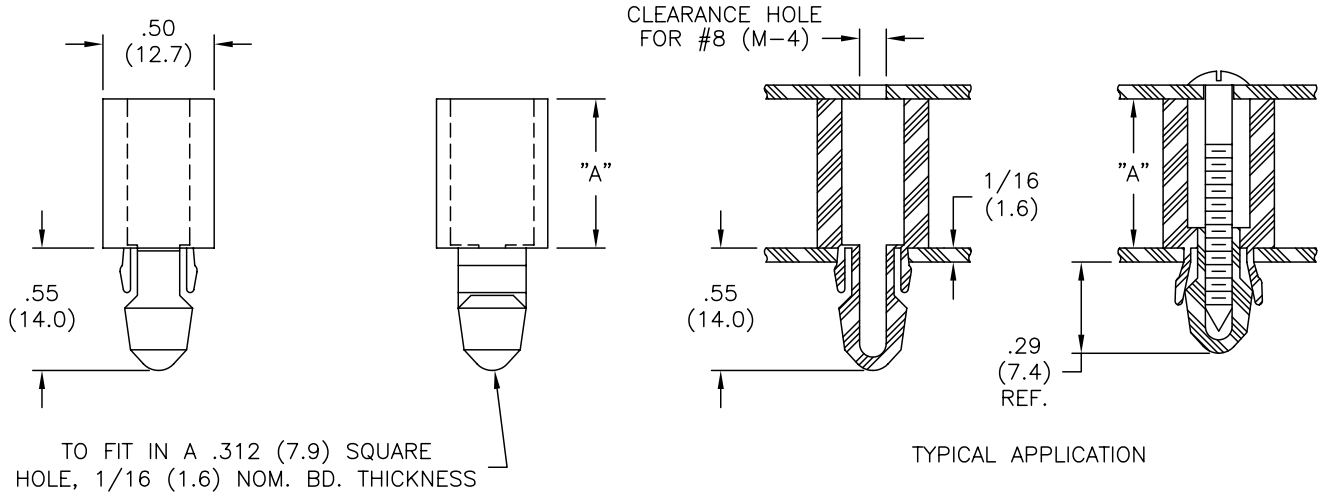


| PART NO. | "A" |
|----------|-----------------|
| | $\pm .015(0.4)$ |
| SN-125 | 1/8 (3.2) |
| SN-187 | 3/16 (4.8) |
| SN-250 | 1/4 (6.4) |
| SN-312 | 5/16 (7.9) |
| SN-375 | 3/8 (9.5) |
| SN-500 | 1/2 (12.7) |



NOTES:

- MAT'L: POLYCARBONATE (RMS-03)
COLOR: CLEAR

| TITLE: SPACER NUT | | | | DWG IN IN (MM) | | FINAL | PRINT TYPE |
|--|------------------|--|------|----------------|--|-----------|------------|
| TOLERANCES UNLESS NOTED XX=±.010 .XXX=±.005 FRAC=1/64 ANG=1° | FILE # SN | DWN: P.B. | APP: | | | | |
| | MAT'L: SEE NOTES | DT: 07-12-94 | DT: | | | SEE TABLE | |
| | RE: RICHCO, INC. | RICHCO INC. PO BOX 804238, CHICAGO, 60680 (773) 539-4060 | | | | | |

| REV | DESCRIPTION | ENGR | DATE |
|-----|----------------------------------|------|----------|
| B | CHANGED FILE NO. AND TITLE BLOCK | SM | 05.16.01 |
| A | .29 DIM WAS .41 | JB | 05.15.96 |