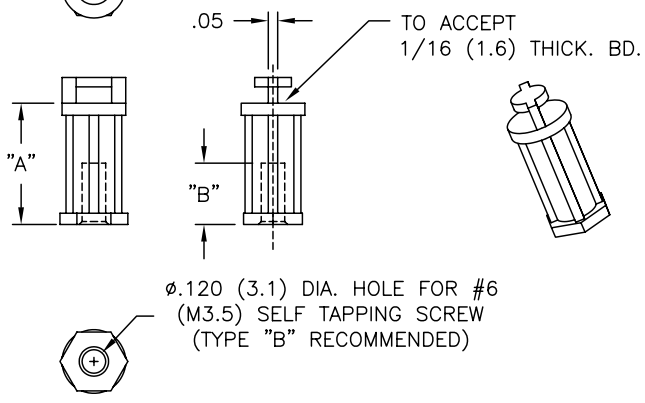
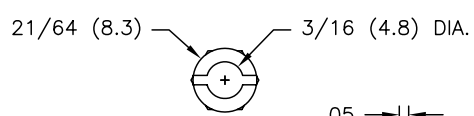
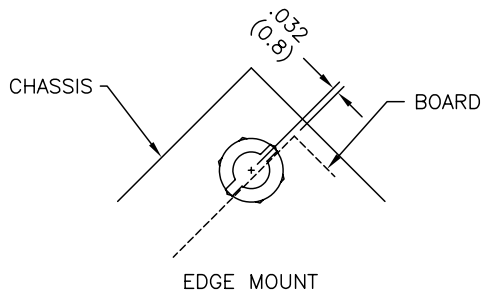
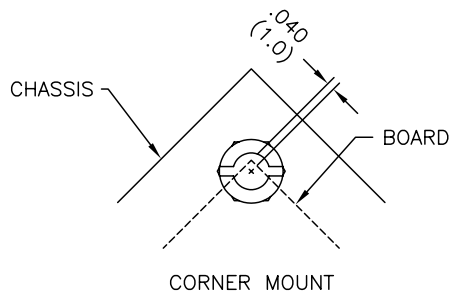


PART NO.	"A"	"B"
TCEHCBS-4-01	1/4 (6.4)	13/64 (5.2)
TCEHCBS-6-01	3/8 (9.5)	
TCEHCBS-8-01	1/2 (12.7)	
TCEHCBS-10-01	5/8 (15.9)	5/16 (7.9)
TCEHCBS-12-01	3/4 (19.1)	
TCEHCBS-14-01	7/8 (22.2)	



NOTES:

- MATERIAL: NYLON 6/6 (RMS-01), FLAME RETARDANT NYLON (RMS-19), AVAILABLE BY SPECIAL ORDER ONLY.
- COLOR: NATURAL.

TITLE: SCREW MOUNT CORNER/EDGE HOLDING CBS			DWG IN IN (MM)	FINAL	PR
TOLERANCES UNLESS NOTED .XX=±.010 .XXX=±.005 FRAC=±1/64 ANG=±1°	FILE # TCEHCBS MAT'L: SEE NOTES RE: RICHCO, INC.	DWN: SM DT: 10/22/01	APP: DT:	PART # SEE TABLE	PRINT TYPE CA
		RICHCO INC. PO BOX 804238, CHICAGO, 60680 (773) 539-4060			

A	ADDED MOUNTING PATTERN	SM	10.24.01
REV	DESCRIPTION	ENGR	DATE