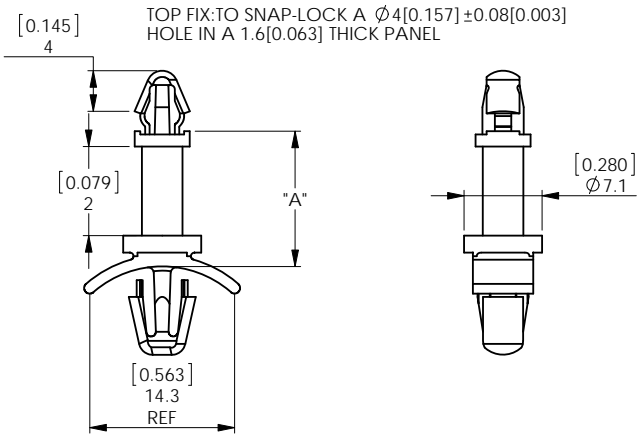


REV.	MODIFICATION.	DATE	DRN
05	CO2011093	24/02/11	SF



BOTTOM FIX: TO SNAP-LOCK A $\phi 4.75 [0.187] \pm 0.08 [0.003]$
HOLE IN A 0.8-2.0 [0.031-0.079] THICK PANEL

PART NUMBER		DIM "A"
NYLON 6/6 UL94-V2(RMS-01) COLOUR: NATURAL	NYLON 6/6 UL94-V0(RMS-19) COLOUR: NATURAL	
LCBS-7-3-01	LCBS-7-3-19	4.8[.189]
LCBS-7-4-01	LCBS-7-4-19	6.4[.252]
LCBS-7-5-01	LCBS-7-5-19	7.9[.311]
LCBS-7-6-01	LCBS-7-6-19	9.5[.374]
LCBS-7-7-01	LCBS-7-7-19	11.1[.437]
LCBS-7-8-01	LCBS-7-8-19	12.7[.500]
LCBS-7-10-01	LCBS-7-10-19	15.9[.626]
LCBS-7-12-01	LCBS-7-12-19	19.1[.752]
LCBS-7-14-01	LCBS-7-14-19	22.2[.874]
LCBS-7-16-01	LCBS-7-16-19	25.4[1.00]
LCBS-7-18-01	LCBS-7-18-19	28.6[1.126]
LCBS-7-20-01	LCBS-7-20-19	31.8[1.252]
LCBS-7-22-01	LCBS-7-22-19	34.9[1.374]
BLACK AVAILABLE BY SPECIAL ORDER ADD -BK TO END OF PART NUMBER		

ALTERNATE UNITS FOR REFERENCE ONLY

<i>INFORMATION CONTAINED IN THIS DOCUMENT IS CONFIDENTIAL TO RICHCO INTERNATIONAL Co. Ltd. AND MAY NOT BE DISCLOSED OR REPRODUCED IN WHOLE OR PART WITHOUT THEIR WRITTEN CONSENT.</i>					
RICHCO, INC. WWW.RICHCO-INC.COM		ALL DIMENSIONS IN mm[<i>inches</i>] GENERAL TOLERANCES ± 0.25 UNLESS OTHERWISE STATED 1 DECIMAL PLACE \pm 2 DECIMAL PLACES \pm ANGULAR $\pm 1^\circ$	THIRD ANGLE 		
MATERIAL: SEE TABLE			COLOUR: SEE TABLE		
DESCRIPTION: LOCKING CIRCUIT BOARD SUPPORT			PART No: SEE TABLE		
DRG No: 100-0701	NPR No: N/A	SHEET SIZE A4			
DRN SF	DATE 23/02/11	CHKD JK	DATE 24/02/11	SCALE NTS	SHEET No. 1 OF 1

FORM No. 0143/00