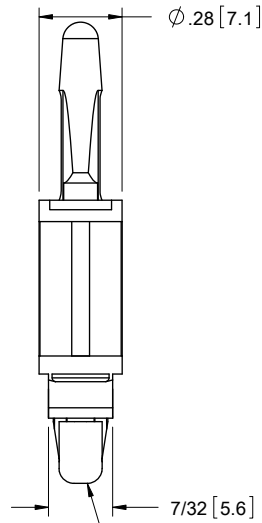
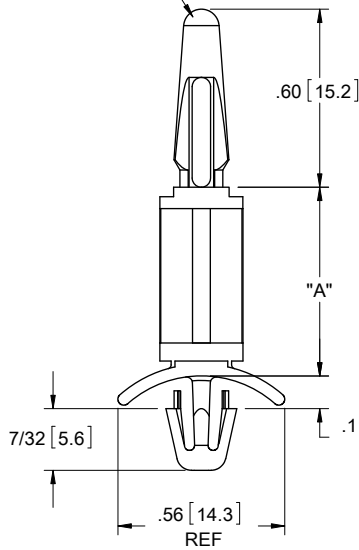
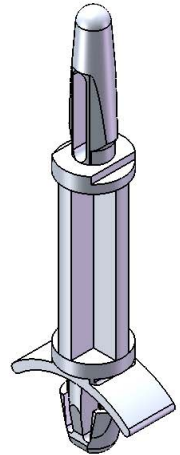


TO FIT IN A .156±.003
[4±0.08] DIA. HOLE, IN A
.062 [1.57] PANEL THICKNESS



TO SNAP-LOCK IN A .187±.003
[4.75±0.08] DIA. HOLE, IN A
.031-.078 [0.79-1.98] PANEL THICKNESS



MATERIAL: NYLON 6/6 UL 94 V-2 (RMS-01) COLOR: NATURAL PART NO.	MATERIAL: NYLON 6/6 UL 94 V-0 (RMS-19) COLOR: NATURAL PART NO.	DIM. "A"±.015 [0.4]
LNCBS-3-01	LNCBS-3-19	3/16 [4.8]
LNCBS-4-01	LNCBS-4-19	1/4 [6.4]
LNCBS-6-01	LNCBS-6-19	3/8 [9.5]
LNCBS-8-01	LNCBS-8-19	1/2 [12.7]
LNCBS-10-01	LNCBS-10-19	5/8 [15.9]
LNCBS-12-01	LNCBS-12-19	3/4 [19.1]
LNCBS-14-01	LNCBS-14-19	7/8 [22.2]

NOTES:
1. ALTERNATE UNITS FOR REFERENCE ONLY.

TITLE: LOCKING NOSE CIRCUIT BOARD SUPPORT				DWG IN IN [MM]		FINAL		PRINT TYPE	
CREATED USING SOLIDWORKS	FILE #: LNCBS	DWN: SK	APP: RT						
TOLERANCES UNLESS NOTED .XX±.010 .XXX±.005 FRAC.=±1/64 ANG.=±1°	SHEET: 1 OF 1	SHEET SIZE: A	DT: 11/21/06	CHKD: SJ					
REV. DESCRIPTION	ENGR. DATE	RE: RICHCO, INC.	RICHCO, INC. ENG@RICHCO-INC.COM (773) 539-4060		PART #		SEE TABLE		
								CA	