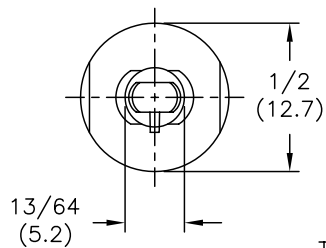
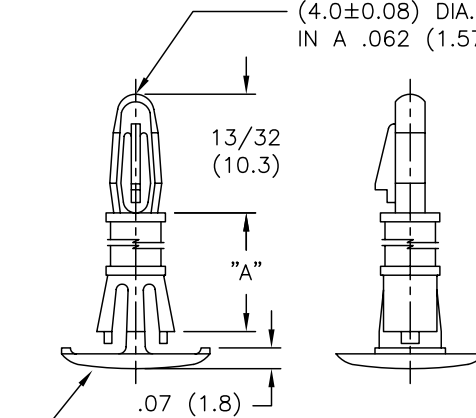


PART NO.	DIM. "A" ±.015(0.4)
RLCBSRE-4-01	1/4 (6.4)
RLCBSRE-6-01	3/8 (9.5)
RLCBSRE-8-01	1/2 (12.7)
RLCBSRE-10-01	5/8 (15.9)



TO SNAP-LOCK IN A $.157 \pm .003$
(4.0±0.08) DIA. HOLE,
IN A .062 (1.57) THK. BOARD.



TO SNAP-LOCK IN A $.213 \pm .003$ (5.41±0.08)
DIA. HOLE, IN A .059 TO .065 (1.50 TO 1.65)
THK. PANEL/CHASSIS.

NOTES:

- MATERIAL: NYLON 6/6 (RMS-01).
FLAME RETARDANT: NYLON (RMS-19).
BY SPECIAL ORDER.
- COLOR: NATURAL.

TITLE: REVERSE LOCKING CKT. BD. SUPPORT, ENGLISH			DWG IN IN(MM)	FINAL	PR
TOLERANCES UNLESS NOTED XX=±.010 .XXX=±.015 FRAC=1/64 ANG=1°	FILE # RLCBSRE MAT'L: SEE NOTE RE: RICHCO, INC.	DWN: P.B. DT: 05-23-95	APP: DT:	PART # SEE TABLE	PRINT TYPE CA
RICHCO INC. PO BOX 804238, CHICAGO, 60680 (773) 539-4060					

REV	DESCRIPTION	ENGR	DATE
C	CHANGED FILE NUMBER	SM	05.03.01
B	MAT'L RMS-19 ADDED	J.L.	12.29.97
A	CONVERTED TO AUTOCAD	PB	05.23.95