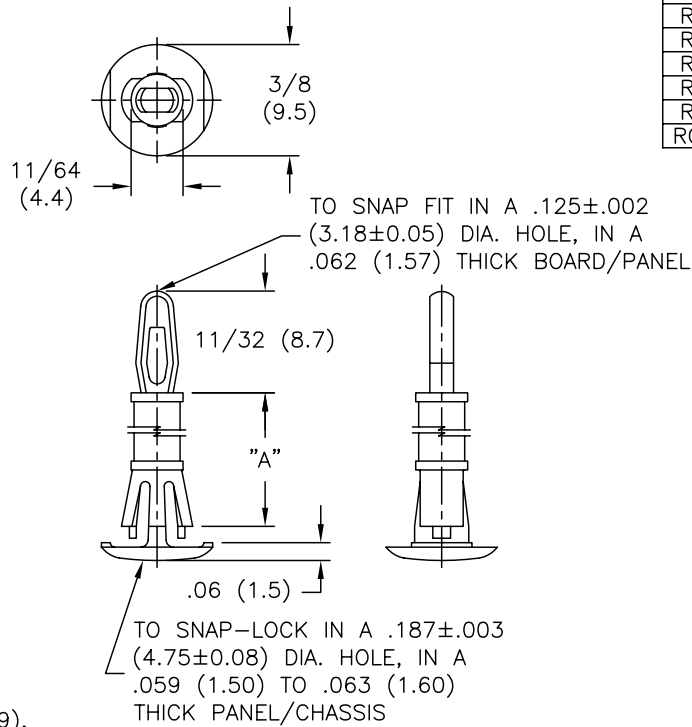


PART NO.	DIM. "A" ±.015(0.4)
RCBSR-4-01	1/4 (6.4)
RCBSR-5-01	5/16 (7.9)
RCBSR-6-01	3/8 (9.5)
RCBSR-7-01	7/16 (11.1)
RCBSR-8-01	1/2 (12.7)
RCBSR-9-01	9/16 (14.3)
RCBSR-10-01	5/8 (15.9)



NOTES:

- MATERIAL: NYLON 66 (RMS-01).  
FLAME RETARDANT: NYLON (RMS-19),  
BY SPECIAL ORDER.
- COLOR: NATURAL.

TITLE: REVERSE CIRCUIT BOARD SUPPORT ROUND HOLE				DWG IN IN (MM)	FINAL	PRINT TYPE
TOLERANCES UNLESS NOTED XX=±.010 .XXX=±.005 FRAC=1/64 ANG=1°	FILE # RCBSR MAT'L: SEE NOTES RE: RICHCO, INC.	DWN: P.B. DT: 07-11-94	APP: DT:	RICHCO INC. PO BOX 804238, CHICAGO, 60680 (773) 539-4060	PART # SEE TABLE	CA

REV	DESCRIPTION	ENGR	DATE
C	CHANGED FILE NO.	SM	05.03.01
B	MAT'L RMS-19 ADDED	J.L.	12.29.97
A	CONVERTED TO ACAD	PB	07.11.94