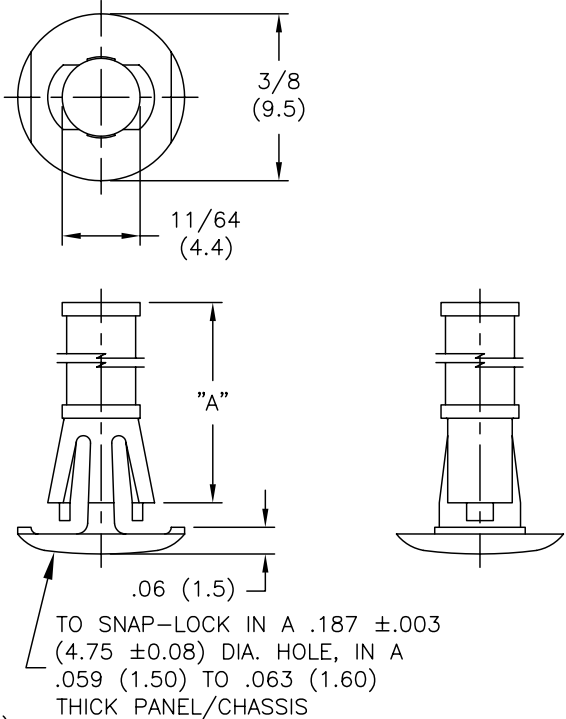


PART NO.	DIM "A" ±.015 (±0.4)
RLCBSRS-4-01	1/4 (6.4)
RLCBSRS-5-01	5/16 (7.9)
RLCBSRS-6-01	3/8 (9.5)
RLCBSRS-7-01	7/16 (11.1)
RLCBSRS-8-01	1/2 (12.7)
RLCBSRS-9-01	9/16 (14.3)
RLCBSRS-10-01	5/8 (15.9)



NOTES:

- MATERIAL: NYLON 6/6 (RMS-01).
FLAME RETARDANT: NYLON (RMS-19).
- COLOR: NATURAL.

D CHANGED FILE NO. AND TITLE BLOCK SM 05.04.01			TOLERANCES UNLESS NOTED			FILE # RLCBSRS		DWN: P.B.		APP:		DWG IN IN (MM) FINAL			
C MAT'L RMS-19 ADDED J.L. 11.25.97			.XX=±.010			MAT'L: SEE NOTES		DT: 05-23-95		DT:		PART #		PRINT TYPE	
B CONVERTED TO ACAD PB 05.23.95			.XX=±.005			RE: RICHCO, INC.		RICHCO INC.		PO BOX 804238, CHICAGO, 60680		SEE TABLE		CA	
A COMPLETE REDRAW & ADDED -5, -7, & -9 RT 05.15.92			FRAC=±1/64							(773) 539-4060					
REV DESCRIPTION ENGR DATE			ANG=±1°												