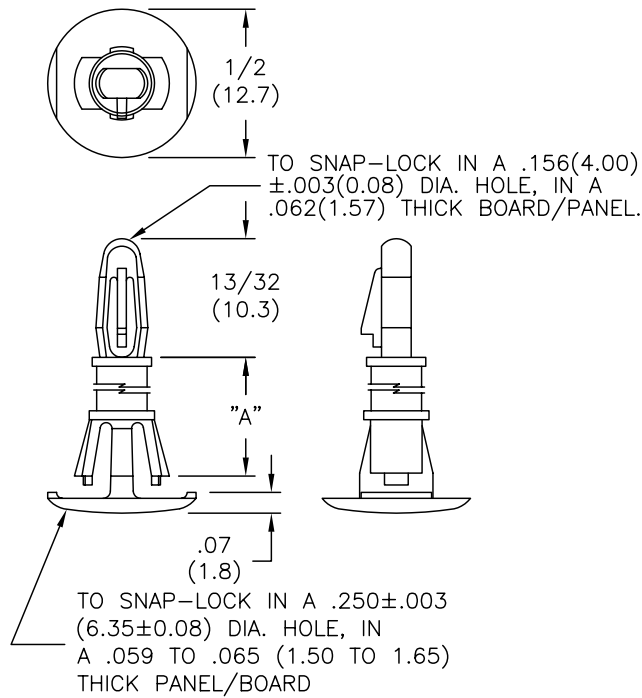


PART #	DIM. "A"
RLCBSR1-4-01	1/4 (6.4)
RLCBSR1-6-01	3/8 (9.5)
RLCBSR1-8-01	1/2 (12.7)
RLCBSR1-10-01	5/8 (15.9)



NOTES:

- MATERIAL: NYLON 6/6 (RMS-01).  
FLAME RETARDANT NYLON (RMS-19),  
AVAILABLE BY SPECIAL ORDER.
- COLOR: NATURAL.

TITLE: REVERSE LOCK CKT. BD. SUPPORT, STYLE #1			DWG IN IN(MM)	
TOLERANCES UNLESS NOTED XX=±.010 .XXX=±.015 FRAC=1/64 ANG=1°			FILE # RLCBSR1	DWN: J.B./R.T. APP:
C SEE ECN #539 FOR CHANGES SM 12.10.02			MAT'L: SEE NOTES	DT: 11-17-95 DT:
B CHANGED FILE NUMBER SM 05.03.01			RE: RICHCO INC.	RICHCO INC.
A MAT'L RMS-19 ADDED J.L. 12.29.97			PO BOX 804238, CHICAGO, 60680	(773) 539-4060
REV DESCRIPTION ENGR DATE			PART # SEE TABLE	PRINT TYPE CA