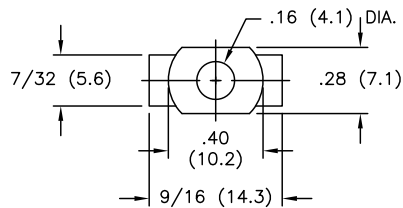
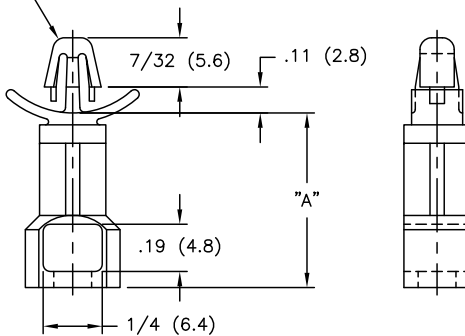


TO SNAP-LOCK IN A  $.187 \pm .003$   
 $(4.75 \pm 0.08)$  DIA. HOLE IN A  
 $.031 - .078$  (0.79-1.98) PANEL THICKNESS



PART NO.	"A"
SRLAHS-7-01	7/16 (11.1)
SRLAHS-8-01	1/2 (12.7)
SRLAHS-10-01	5/8 (15.9)
SRLAHS-12-01	3/4 (19.1)
SRLAHS-14-01	7/8 (22.2)
SRLAHS-16-01	1 (25.4)

USE RICHCO RIVET NO.	FOR CHASSIS THICKNESS
SR-4050	.026-.062 (0.7-1.6)
SR-4060	.062-.105 (1.5-2.7)
SR-4070	.105-.145 (2.7-3.7)
SR-4080	.145-.184 (3.7-4.7)
SR-4090	.184-.223 (4.7-5.7)
SR-4100	.223-.263 (5.7-6.7)
SR-4120	.282-.341 (7.2-8.7)

NOTES:

1. MATERIAL: NYLON 6/6 UL94 V-2 (RMS-01).  
 NYLON 6/6 UL94 V-0 (RMS-19) AVAILABLE,  
 TO ORDER REPLACE "-01" WITH "-19"
2. COLOR: NATURAL.
3.  $.157 - .161$  (4.0-4.1) DIA. HOLE IN  
 CHASSIS REQUIRED FOR APPLICATION

TITLE: SNAP RIVET LOCKING ARROWHEAD SUPPORT				DWG IN IN (MM)		FINAL			
FILE #	SRLAHS	DWN:	P.B.	APP:	PART #		PRINT TYPE		
MAT'L:	SEE NOTES	DT:	05-03-94	DT:	SEE TABLE		CA		
RE:	RICHCO, INC.	RICHCO INC. PO BOX 804238, CHICAGO, 60680 (773) 539-4060							

REV	DESCRIPTION	ENGR	DATE
E	SEE CO 200628 FOR CHANGES	SK	03.25.11
D	SEE CO 200401 FOR CHANGES	SK	09.08.09
C	SEE ECN #1253 FOR CHANGES	SK	11.29.06
B	SEE ECN #1002 FOR CHANGES	SK	05.11.05
A	UPDATED NOTES AND CHANGED FILE NO.	SM	08.20.02

TOLERANCES UNLESS NOTED
.XX=±.010
.XXX=±.005
FRAC=±1/64
ANG=±1'