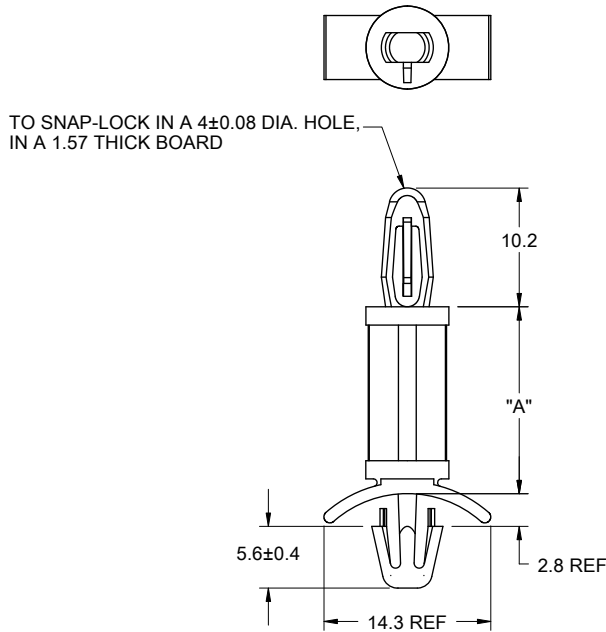
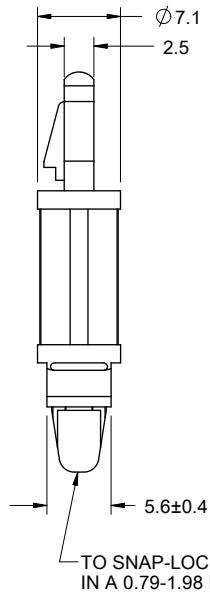


AVAILABLE BY SPECIAL ORDER ONLY

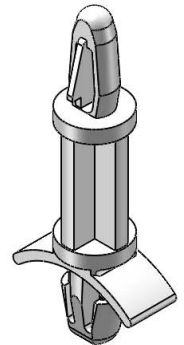
PART NO.	DIM. "A"±0.4
LCBS-6M-01	6
LCBS-8M-01	8
LCBS-10M-01	10
LCBS-12M-01	12
LCBS-14M-01	14
LCBS-16M-01	16



TO SNAP-LOCK IN A 4±0.08 DIA. HOLE, IN A 1.57 THICK BOARD



TO SNAP-LOCK IN A 4.75±0.08 DIA. HOLE, IN A 0.79-1.98 PANEL THICKNESS



NOTES:

- 1.MATERIAL: NYLON 6/6 UL 94 V-2 (RMS-01).  
MATERIAL: NYLON 6/6 UL 94 V-0 (RMS-19).  
AVAILABLE BY SPECIAL ORDER. TO ORDER  
REPLACE "-01" WITH "-19".
2. COLOR: NATURAL.  
BLUE AVAILABLE BY SPECIAL ORDER ONLY.

TITLE: LOCKING CIRCUIT BOARD SUPPORT (METRIC)				DWG IN mm	FINAL	PRINT TYPE
CREATED USING SOLIDWORKS	FILE #: LCBS-M	DWN: SK	APP: RT	PART #	SEE TABLE	EA
GENERAL TOLERANCE UNLESS NOTED ±0.25 ANG.±1°	SHEET: 1 OF 1 SHEET SIZE: A	DT: 11/16/06	CHKD: SJ			
REV.	DESCRIPTION	ENGR.	DATE			

E	SEE CO 200290 FOR CHANGES	SK	12/04/08
D	REDRAWN, SEE ECN #1208 FOR CHANGES	SK	11/29/06
-	SEE ENGINEERING FOR REV A-C	---	----
REV.	DESCRIPTION	ENGR.	DATE