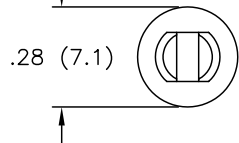
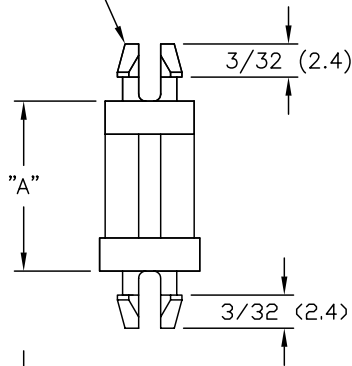


TO SNAP-LOCK IN A $.156 \pm .003$
 (4.00 ± 0.08) DIA. HOLE, IN A
 $.062 (1.57)$ NOM. THK. BOARD/CHASSIS
 (BOTH ENDS)



PART NO.	"A"
	$\pm .015 (\pm 0.4)$
SP1-3-01	3/16 (4.8)
SP1-4-01	1/4 (6.4)
SP1-6-01	3/8 (9.5)
SP1-8-01	1/2 (12.7)
SP1-10-01	5/8 (15.9)
SP1-12-01	3/4 (19.1)
SP1-14-01	7/8 (22.2)
SP1-16-01	1 (25.4)

NOTES:

- MATERIAL: NYLON 6/6 (RMS-01).
 FLAME RETARDANT: NYLON (RMS-19),
 AVAILABLE BY SPECIAL ORDER ONLY.
- COLOR: NATURAL.

TITLE: SUPPORT POST, TYPE 1					
TOLERANCES UNLESS NOTED XX=±.010 .XXX=±.005 FRAC=±1/64 ANG=±1°	FILE # SP1 MAT'L: SEE NOTES RE: RICHCO, INC.	DWN: P.B. DT: 03-11-94	APP: DT:	RICHCO INC. PO BOX 804238, CHICAGO, 60680 (773) 539-4060	SEE TABLE CA

REV	DESCRIPTION	ENGR	DATE
B	CHANGED FILE NO. AND TITLE BLOCK	SM	02.04.02
A	DIM'S 3/32 (2.4) ADDED, DIM'S .16 (4.1) REMOVED, .062 IN NOTE 4 WAS 1/16	PB	083094