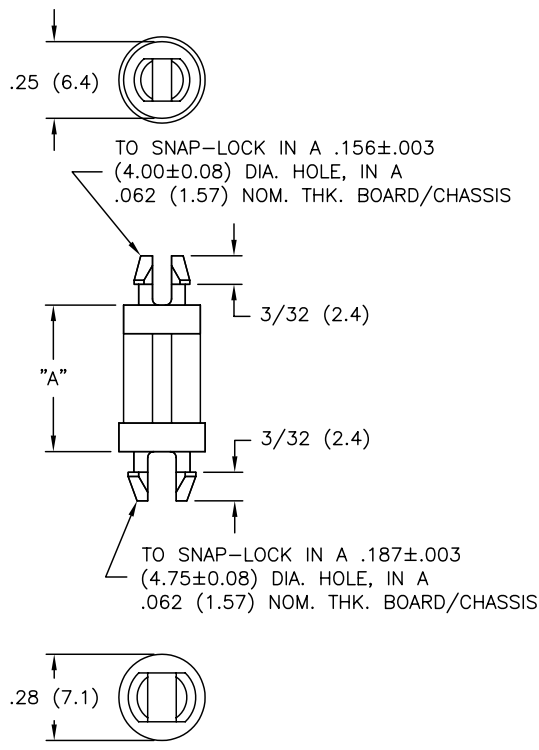


PART NO.	"A"
	± 0.015 (± 0.4)
SP3-3-01	3/16 (4.8)
SP3-4-01	1/4 (6.4)
SP3-6-01	3/8 (9.5)
SP3-8-01	1/2 (12.7)
SP3-10-01	5/8 (15.9)
SP3-12-01	3/4 (19.1)
SP3-14-01	7/8 (22.2)
SP3-16-01	1 (25.4)



- NOTES:
- MATERIAL: NYLON 6/6 (RMS-01).
FLAME RETARDANT: NYLON (RMS-19),
AVAILABLE BY SPECIAL ORDER ONLY.
 - COLOR: NATURAL.

TITLE: SUPPORT POST, TYPE 3		DWN: P.B.		APP:		DWG IN (MM)		FINAL		PRINT TYPE	
TOLERANCES UNLESS NOTED .XX=±.010 .XXX=±.005 FRAC=±1/64 ANG=±1°		FILE # SP3		DT: 03-11-94		DT:		PART #		CA	
A		RE: RICHCO, INC.		RICHCO INC. PO BOX 804238, CHICAGO, 60680 (773) 539-4060		SEE TABLE					
CHANGED FILE NO. AND TITLE BLOCK		SM 02.04.02									
REV		DESCRIPTION		ENGR		DATE					