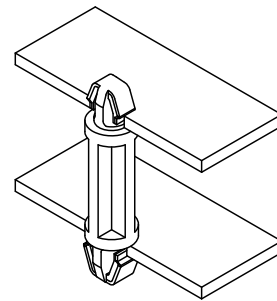
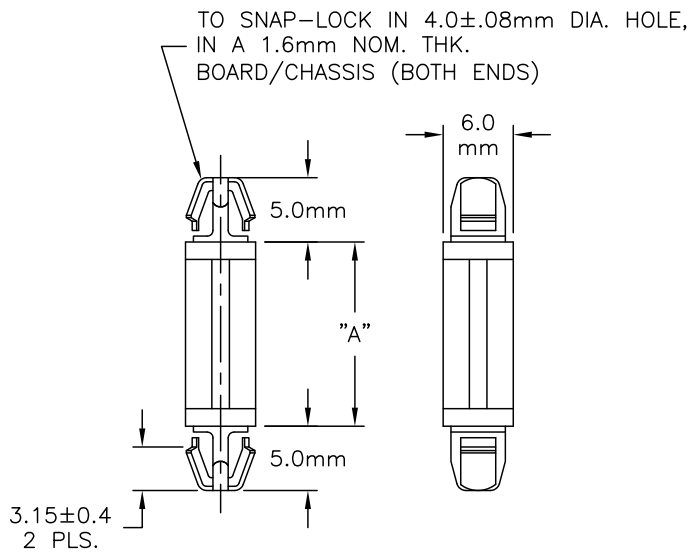


PART NO.	"A"
DLSP-1-3M-01	3.0 mm
DLSP-1-4M-01	4.0 mm
DLSP-1-6M-01	6.0 mm
DLSP-1-8M-01	8.0 mm
DLSP-1-10M-01	10.0 mm
DLSP-1-12M-01	12.0 mm
DLSP-1-14M-01	14.0 mm
DLSP-1-16M-01	16.0 mm
DLSP-1-18M-01	18.0 mm
DLSP-1-25M-01	25.0 mm
DLSP-1-30M-01	30.0 mm



NOTES:

- MATERIAL: NYLON 6/6 (RMS-01).
FLAME RETARDANT, NYLON (RMS-19),
AVAILABLE BY SPECIAL ORDER ONLY.
- COLOR: NATURAL.

REV	DESCRIPTION	ENGR	DATE	TOLERANCES UNLESS NOTED X.X=±0.25 X.XX=±0.13 FRAC=±1/64 ANG=±1°	FILE # DLSP-1	DWN: P.B.	APP:	DWG IN METRIC	FINAL	PRINT TYPE
F	ADDED -25M, AND -30M PART NO.,SEE CO 200531	SK	05.10.10							
E	DIM. 3.15 WAS 3.7	SM	05.28.02							
D	CHANGED FILE NUMBER	SM	05.10.01							
C	Tol. ±.08 added to dim 4.0 mm	JL	4.3.00							
B	NOTE 2 REMOVED; 2ND CHART ADDED; DIM SEE CHART ADDED; DIM .24 (6) ADDED	PB	07.05.95							
A	-01 ADDED TO P/N'S	PB	11.09.94							
REV										

TITLE: DUAL LOCKING SUPPORT POST (METRIC), TYPE 1



MAT'L: SEE NOTE

RE: RICHCO INC

DT: 10-04-94 DT:
RICHCO INC.
PO BOX 804238, CHICAGO, 60680
(773) 539-4060

PART #
SEE TABLE
PRINT TYPE
CA