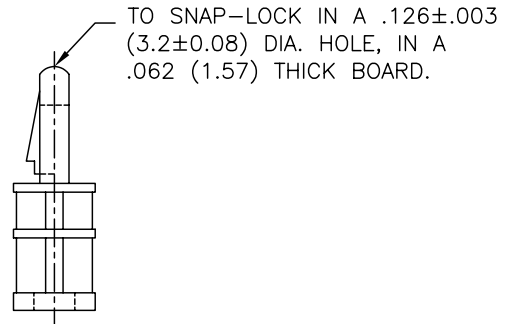
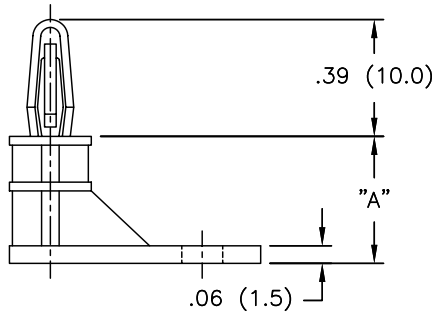
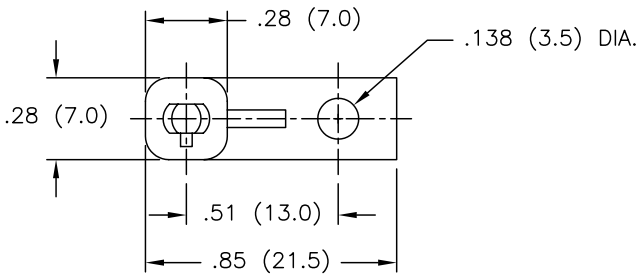


AVAILABLE BY SPECIAL ORDER ONLY



PART NO.	DIM. "A"
LCBS-L-5-01	±.015 (±0.4)
LCBS-L-6-01	.30 (7.6)
LCBS-L-7-01	3/8 (9.5)
LCBS-L-8-01	7/16 (11.1)
LCBS-L-9-01	1/2 (12.7)
LCBS-L-10-01	9/16 (14.3)
LCBS-L-10-01	5/8 (15.9)

NOTES:

1. MATERIAL: NYLON 6/6 (RMS-01).
FLAME RETARDANT, NYLON (RMS-19),
AVAILABLE BY SPECIAL ORDER ONLY.
2. COLOR: NATURAL.
3. INSTALLS WITH A #4 (M3) SCREW OR RIVET.

TITLE: LOCKING CKT. BD. SUPPORT, L STYLE		DWN: P.B.		APP:		DWG IN IN (MM)		FINAL			
TOLERANCES UNLESS NOTED XX=±.010 .XX=±.005 FRAC=1/64 ANG=1°		FILE # LCBS-L		DT: 03-11-94		DT:		PART #		PRINT TYPE	
B SEE ECN #862 FOR CHANGES SM 10.04.04		MAT'L: SEE NOTES		RE: RICHCO, INC.		RICHCO INC. PO BOX 804238, CHICAGO, 60680 (773) 539-4060		LCBS-L-SERIES		CA	
A UPDATED NOTES AND CHANGED FILE NO. SM 07.31.02											
REV DESCRIPTION ENGR DATE											