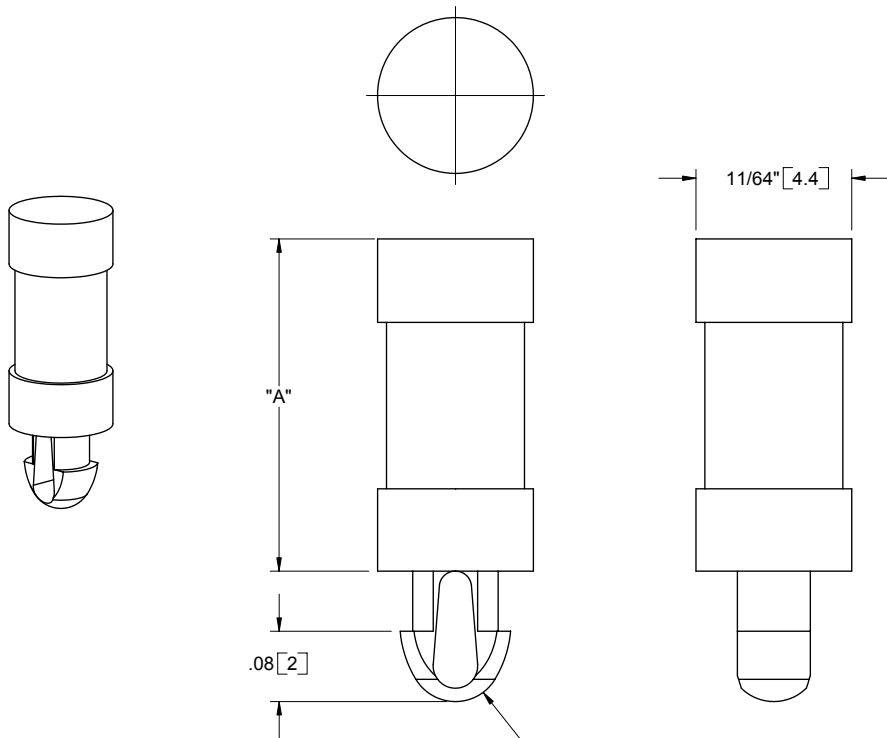


PART NO.	DIM. "A"±.015
PST-1-01	1/16 [1.6]
PST-2-01	1/8 [3.2]
PST-3-01	3/16 [4.8]
PST-4-01	1/4 [6.4]
PST-5-01	5/16 [7.9]
PST-6-01	3/8 [9.5]
PST-7-01	7/16 [11.1]
PST-8-01	1/2 [12.7]
PST-9-01	9/16 [14.3]
PST-10-01	5/8 [15.9]



TO SNAP-LOCK IN A .100±.002 [2.54±0.05] DIA. HOLE,  
IN A .064 [1.63] MAX THICK BOARD

NOTES:  
1. MATERIAL: NYLON 6/6 UL 94 V-2 (RMS-01),  
FLAME RETARDANT NYLON 6/6 UL 94 V-0 (RMS-19),  
AVAILABLE BY SPECIAL ORDER ONLY.  
2. COLOR: NATURAL.

B	REDRAWN FROM ACAD TO SOLIDWORKS, SEE ECN#1062	SK	09/28/05
A	CHANGED FILE NO. AND TITLE BLOCK	SM	05/04/01
REV.	DESCRIPTION	ENGR.	DATE

TITLE: <b>PUSH SPACER, TEARDROP</b>		DWN: SK		APP: RT		DWG IN IN [MM]		FINAL		PRINT TYPE	
CREATED USING SOLIDWORKS		FILE #: PST		DT: 09/27/05		CHKD: RT		PART #		CA	
TOLERANCES UNLESS NOTED		SHEET: 1 OF 1		SHEET SIZE: A		RE: RICHCO, INC.		SEE TABLE			
.XX±.010		RICHCO, INC.		RICHCO, INC.		ENG@RICHCO-INC.COM					
.XXX±.005						(773) 539-4060					
FRAC.=±1/64											
ANG.=±1°											