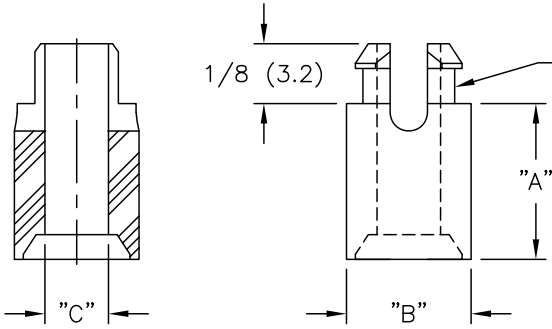


PART NO.			"A" ±.015 (0.4)
FOR #4 (M-3) SCREW	FOR #6 (M-3.5) SCREW	FOR #8 (M-4) SCREW	
SSRS4-2-01	-	-	1/8 (3.2)
SSRS4-3-01	-	-	3/16 (4.8)
SSRS4-4-01	SSRS6-4-01	SSRS8-4-01	1/4 (6.4)
SSRS4-5-01	SSRS6-5-01	SSRS8-5-01	5/16 (7.9)
SSRS4-6-01	SSRS6-6-01	SSRS8-6-01	3/8 (9.5)
SSRS4-7-01	SSRS6-7-01	SSRS8-7-01	7/16 (11.1)
SSRS4-8-01	SSRS6-8-01	SSRS8-8-01	1/2 (12.7)
SSRS4-10-01	SSRS6-10-01	SSRS8-10-01	5/8 (15.9)
-	SSRS6-12-01	SSRS8-12-01	3/4 (19.1)
-	SSRS6-14-01	SSRS8-14-01	7/8 (22.2)
-	SSRS6-16-01	SSRS8-16-01	1.0 (25.4)

SERIES NO.	DIM. "B"	DIM. "C"	SCREW SIZE	MOUNTING HOLE DIA. ±.003(0.08)
SSRS4	.260 (6.6)	.130 (3.3)	#4	.187 (4.75)
SSRS6	5/16 (7.9)	.153 (3.9)	#6	.234 (5.94)
SSRS8	5/16 (7.9)	.169 (4.3)	#8	.234 (5.94)



- NOTES:
- MATERIAL: NYLON 66 (RMS-01).  
FLAME RETARDANT: NYLON (RMS-19),  
BY SPECIAL ORDER.
  - COLOR: NATURAL.

TITLE: STACKABLE, SELF RETAINING SPACER		DWG IN IN (MM)	FINAL	PRINT TYPE CA
FILE # SSRS	DWN: P.B.	APP:	PART #	
MAT'L: SEE NOTES	DT: 03-16-94	DT:	SEE TABLE	
RE: RICHCO, INC.	RICHCO INC. PO BOX 804238, CHICAGO, 60680 (773) 539-4060			

REV	DESCRIPTION	ENGR	DATE
E	CORRECTED DIM "C" ON SSRS4, CO 200634	SK	03.08.11
D	CHANGED FILE NUMBER	SM	05.10.01
C	ADDED 3 NEW SIZES TO #6 & #8 SCREW	M.B.	9.15.00
B	DIM. 5/16(7.9) WAS 5/16(7.1)	J.L.	4/22/99
A	MAT'L RMS-19 ADDED	J.L.	12.10.97

TOLERANCES UNLESS NOTED  
.XX=±.010  
.XXX=±.005  
FRAC=1/64  
ANG=1°