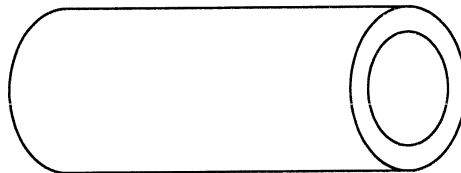
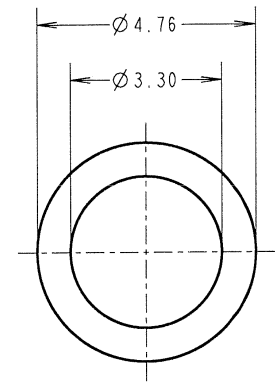
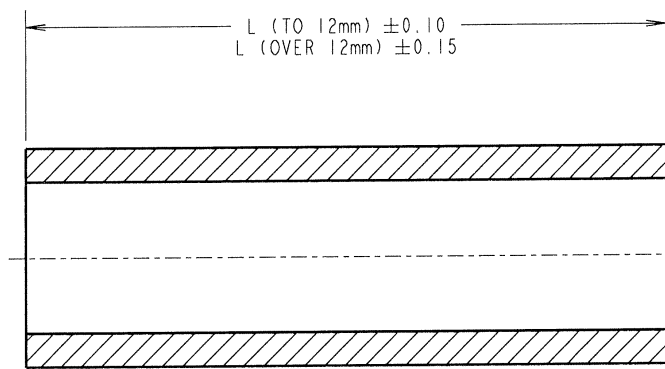


Customer Information Sheet

DRAWING No.: R30-601XX02 SHEET 2 OF 2 IF IN DOUBT - ASK © NOT TO SCALE THIRD ANGLE PROJECTION ALL DIMENSIONS IN mm

PART No.	L
R30-6010202	2.00
R30-6010302	3.00
R30-6010402	4.00
R30-6010502	5.00
R30-6010602	6.00
R30-6010702	7.00
R30-6010802	8.00
R30-6010902	9.00
R30-6011002	10.00
R30-6011102	11.00
R30-6011202	12.00
R30-6011302	13.00
R30-6011402	14.00
R30-6011502	15.00
R30-6011602	16.00
R30-6011802	18.00
R30-6012002	20.00
R30-6012202	22.00
R30-6012502	25.00
R30-6013002	30.00



ORDER CODE:
R30-601XX02
LENGTH LI IN mm

JMB	5	15.10.06	9512
NAME	ISS.	DATE	C/NOTE
APPROVED: <i>[Signature]</i>			
CHECKED: <i>[Signature]</i>			
DRAWN: K. LIOTTA			
CUSTOMER REF.:			
ASSEMBLY DRG:			

HARWIN

HARWIN INC U.S.A. TEL: (812) 542 2540 FAX: (812) 542 2541	HARWIN PLC U.K. TEL: 023 9231 4545 FAX: 023 9231 4590	HARWIN PTE SINGAPORE TEL: 65 6779 4909 FAX: 65 6779 3868
--	--	---

THIS DRAWING AND ANY INFORMATION OR DESCRIPTIVE MATTER SET OUT HEREON ARE CONFIDENTIAL AND COPYRIGHT PROPERTY OF THE HARWIN GROUP AND MUST NOT BE DISCLOSED, LOANED, COPIED OR USED FOR MANUFACTURING, TENDERING OR FOR ANY OTHER PURPOSE WITHOUT THEIR WRITTEN PERMISSION.

TOLERANCES
X. = ± 1 mm
X.X = ± 0.25 mm
X.XX = ± 0.10 mm
X.XXX = ± 0.01 mm
ANGLES = $\pm 5^\circ$
UNLESS STATED

MATERIAL: BRASS
CW614N M TO BS EN 12164
(CuZn39Pb3)
FINISH: NICKEL
S/AREA: mm²

TITLE: M3 CIRCULAR CLEARANCE SPACER

DRAWING NUMBER: R30-601XX02

SHT 2 OF 2