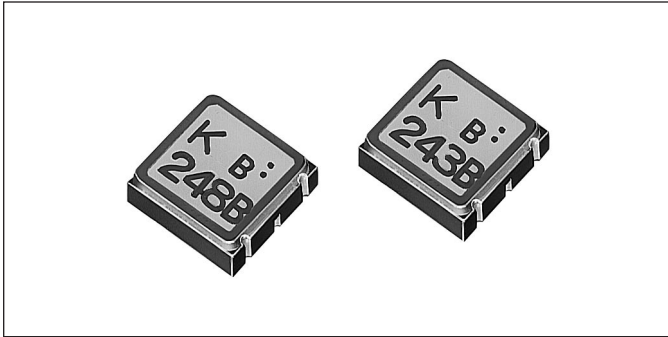


# Surface Acoustic Wave Filters



## PAFC Series



### FEATURES

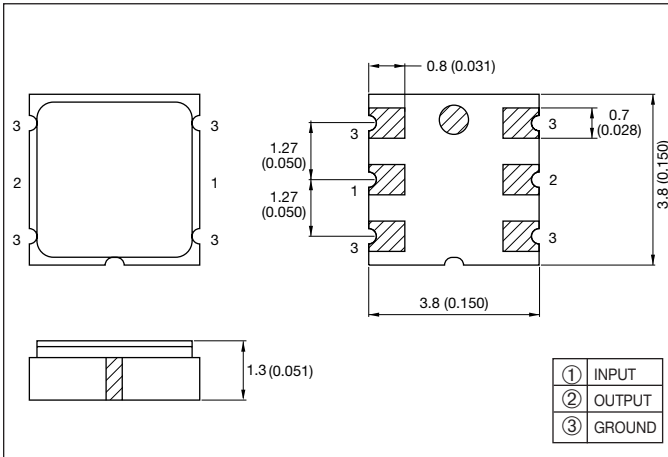
- Small and low profile
- Ceramic package type
- Flat pass band characteristics
- Low insertion loss
- Circuit simplification

### APPLICATIONS

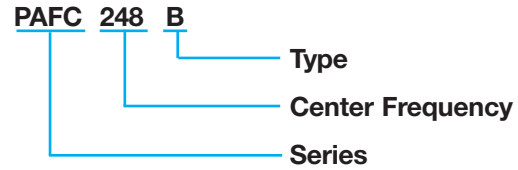
- PHS

### DIMENSIONS

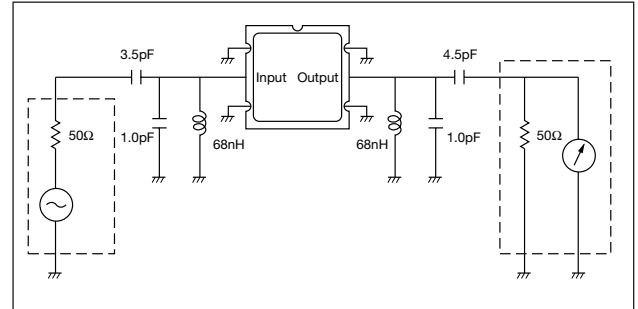
millimeters (inches)



### HOW TO ORDER



### TEST CIRCUIT



### SPECIFICATIONS

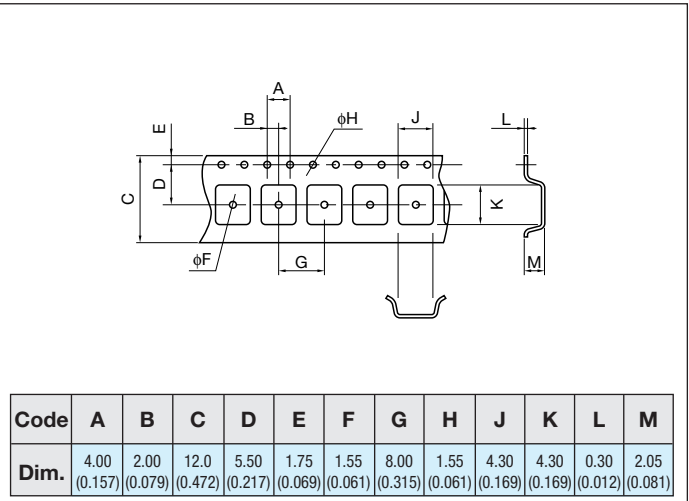
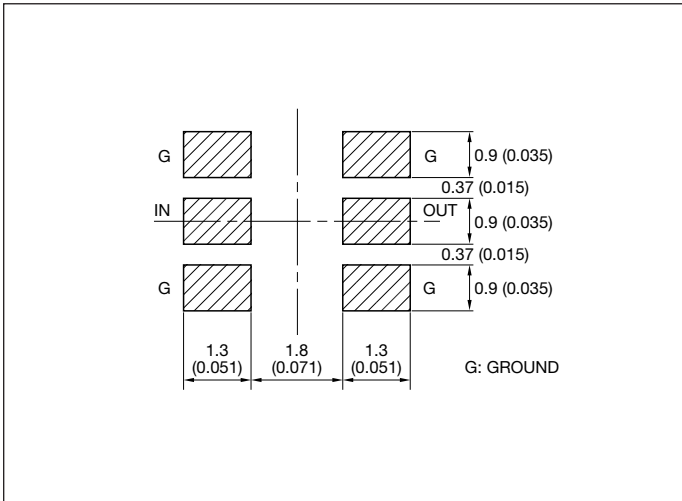
Part Number	Normal Center Frequency (Fn)	Insertion Loss	Pass Band Width (at 3dB)	Stop Band Attenuation			Ripple (fn±110kHz)	Group Delay Time (fn±110kHz)	Operating Temperature
				fn±600kHz	fn±1.2kHz	fn±faMHz*			
PAFC248B	248.45MHz	4.0dB max.	±130kHz min.	30dB min.	40dB min.	60dB min.	1.5dB max..	1.2µs max.	-10 to 60°C
PAFC243B	243.95MHz	4.0dB max.	±130kHz min.	30dB min.	40dB min.	60dB min.	1.5dB max..	1.2µs max.	-10 to 60°C

### Recommended Land Pattern

millimeters (inches)

### Taping Dimension

millimeters (inches)

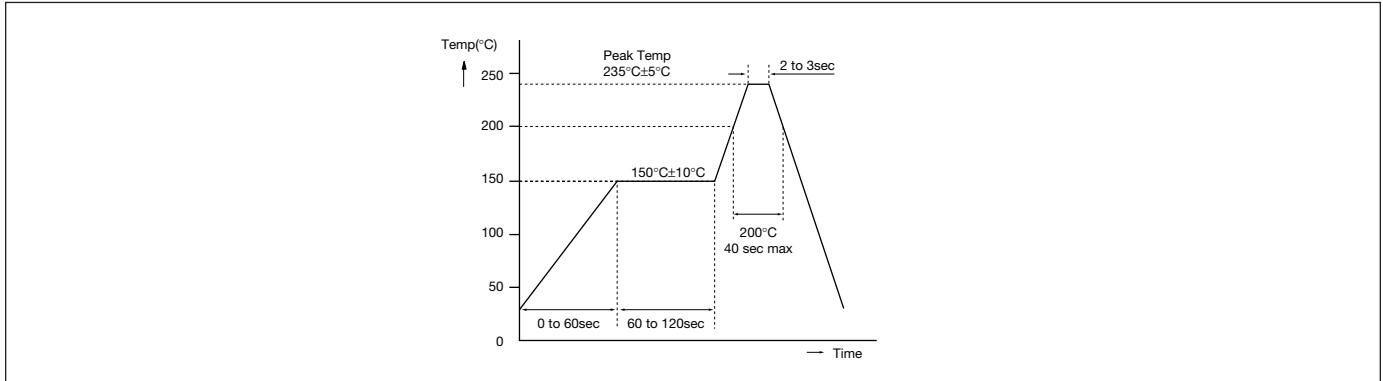


# Surface Acoustic Wave Filters



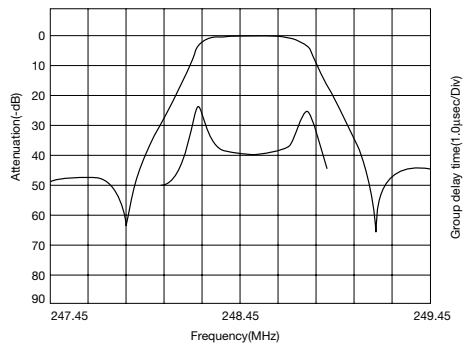
## PAFC Series

### RECOMMENDED TEMPERATURE PROFILE IR REFLOW

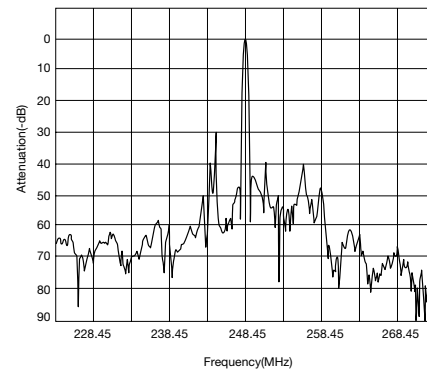


### CHARACTERISTICS

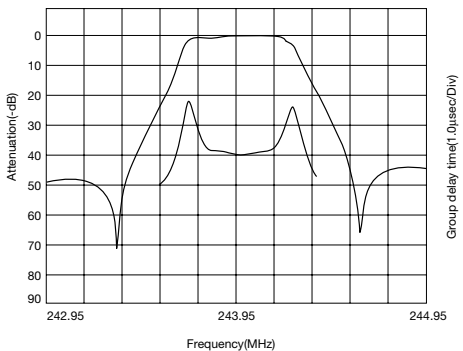
**PAFC248A Pass Band Characteristics**



**PAFC248A Spurious Characteristics**



**PAFC243B Pass Band Characteristics**



**PAFC243B Spurious Characteristics**

