



- ▶ Quartz Stability
- ▶ Ideal for Satellite Receiver
- ▶ RoHS Compliant



ECS-D479.5B

SAW FILTER

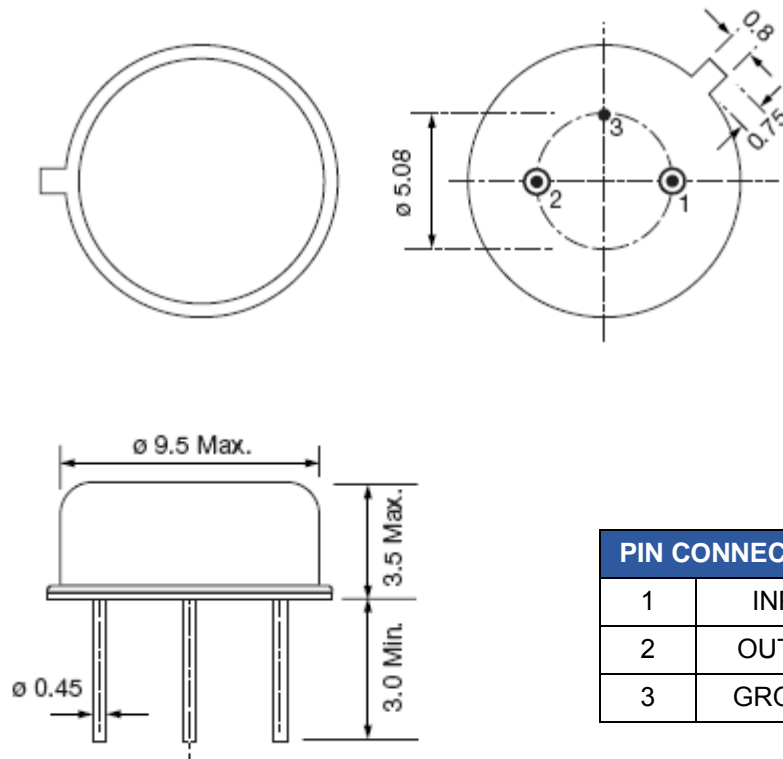
The ECS-D479.5B is a 480 MHz SAW (Surface Acoustic Wave) Filter in a thru-hole TO39-3A package. They are ideal for Satellite TV.



OPERATING CONDITIONS / ELECTRICAL CHARACTERISTICS

PARAMETERS	CONDITIONS	ECS-D479.5B			UNITS
		MIN	TYP	MAX	
CENTER FREQUENCY		478.0	479.5	481.0	MHz
INSERTION LOSS	@ 479.5 MHz			23	dB
3 dB PASS BAND		25.7	26.7	27.7	MHz
SPURIOUS RESPONSE	0 to 750 MHz	30			dB
FREQUENCY STABILITY	-25°C to +85°C		-86		PPM/°C
INSULATION RESISTANCE	10V DC	1			MΩ
TERMINATING IMPEDANCE	INPUT	60Ω//4.8pF			
	OUTPUT	260Ω//3.1pF			
OPERATING TEMPERATURE		-25		+85	°C
STORAGE TEMPERATURE		-40		+85	°C

PACKAGE DIMENSIONS (mm)



PIN CONNECTIONS	
1	INPUT
2	OUTPUT
3	GROUND

PART NUMBER: ECS - D479.5B