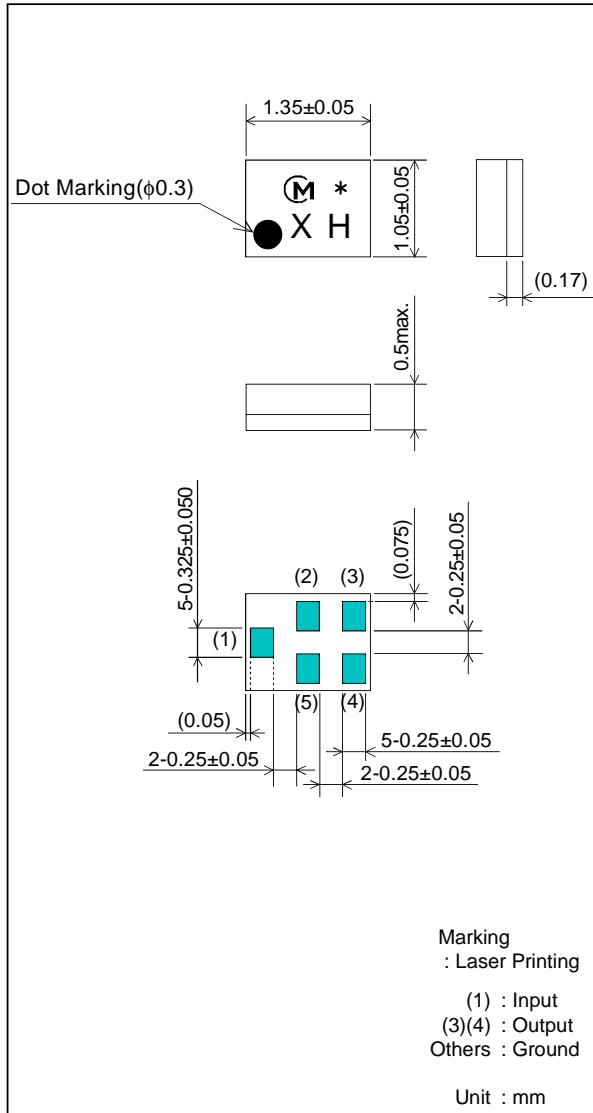


SAW FILTER FOR WiBro

Murata part number : SAFEA2G34FB0F00

■ Package Dimensions



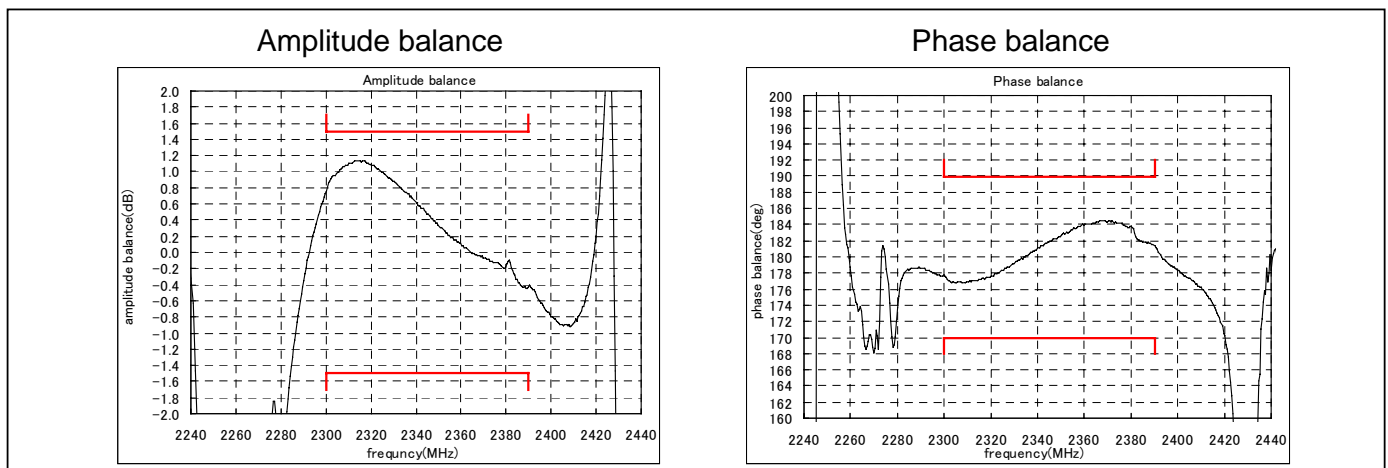
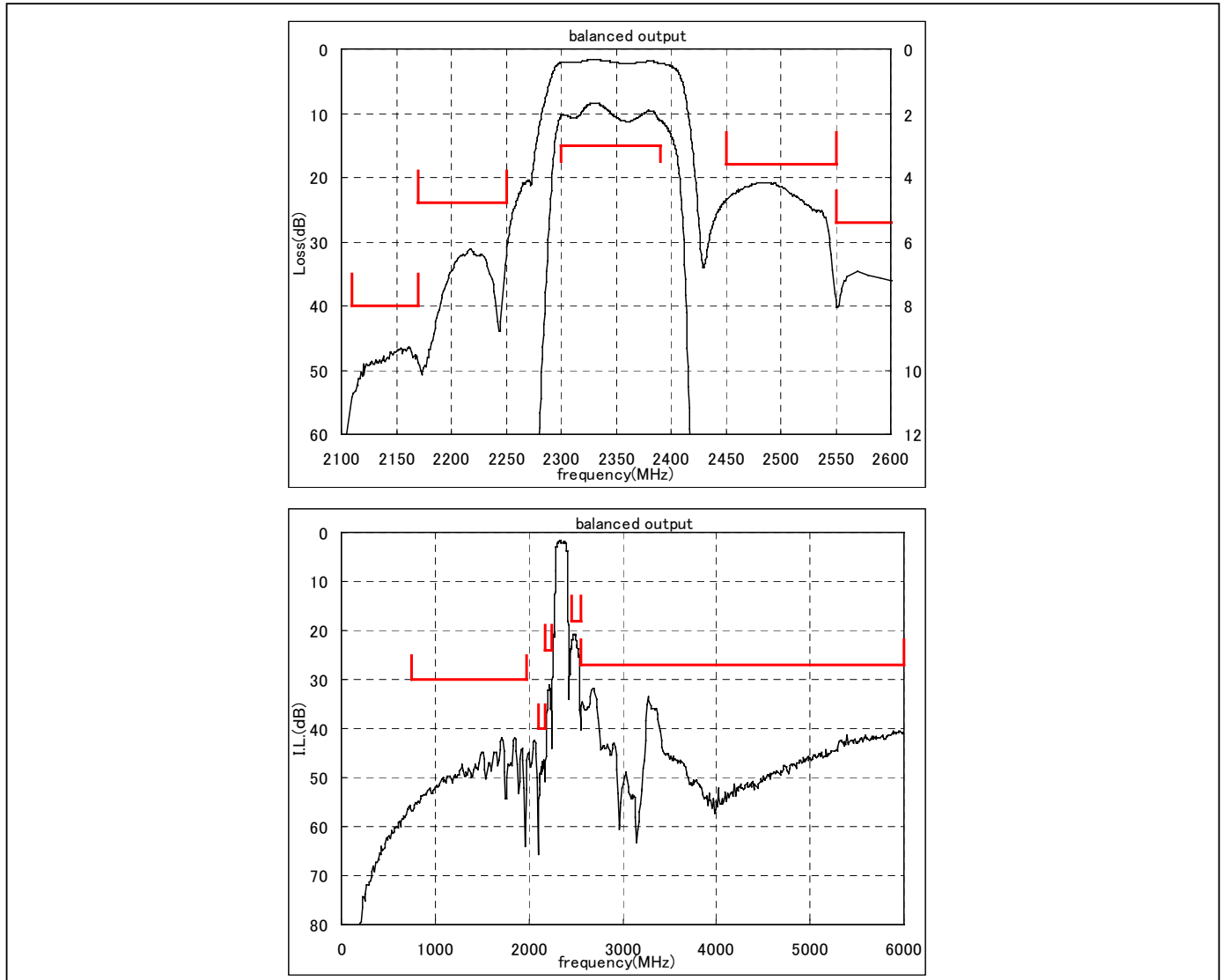
■ Specification

Item	Specification		
	-30 to 85°C	25±2°C	typ.
Nominal Center Frequency (fc)	2345MHz		
Insertion Loss (2300 to 2390MHz)	3.0 dB max.	2.5 dB max.	2.2 dB
Absolute Attenuation			
1) 750 to 1980 MHz	30 dB min.	30 dB min.	41 dB
2) 2110 to 2170 MHz	40 dB min.	40 dB min.	45 dB
3) 2170 to 2250 MHz	24 dB min.	24 dB min.	31 dB
4) 2450 to 2550 MHz	18 dB min.	18 dB min.	20 dB
5) 2550 to 6000 MHz	27 dB min.	30 dB min.	32 dB
Ripple Deviation (2300 to 2390MHz)	1.5dB max.	1.0dB max.	0.6 dB
VSWR (2300 to 2390MHz)	2.4 max.	2.2 max.	2.0
Amplitude Balance (2300 to 2390MHz)	±1.5dB max.	±1.5dB max.	+1.0dB
Phase Balance (2300 to 2390MHz)	180±10deg. max.	180±10deg. max.	180+6deg.
Input Impedance (nominal)	50Ω		
Output Impedance (nominal)	100Ω//15nH		
Input Signal Level	10mW (+10dBm), 8000 hours		

SAW FILTER FOR WiBro

Murata part number : *SAFEA2G34FB0F00*

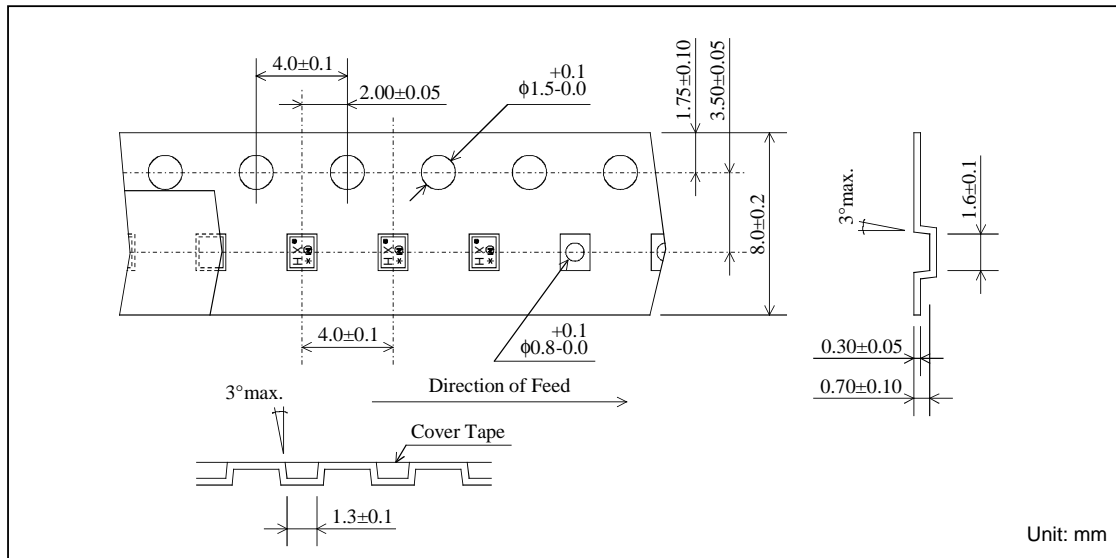
■ Frequency Performance



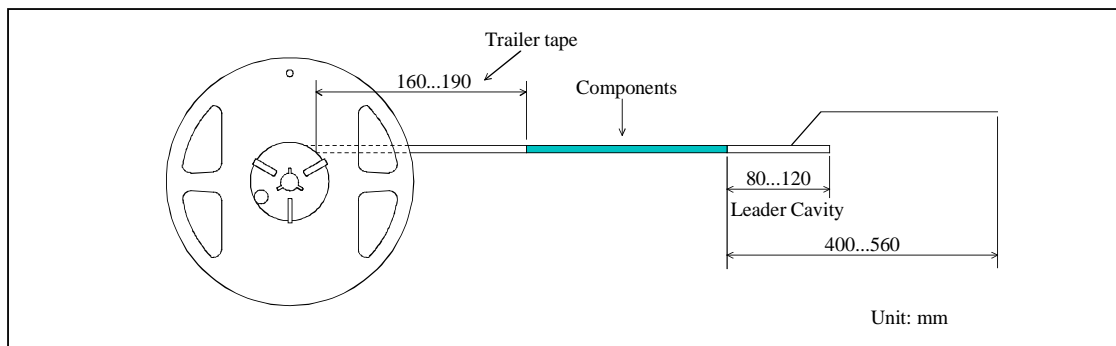
SAW FILTER FOR WiBro

Murata part number : SAFEA2G34FB0F00

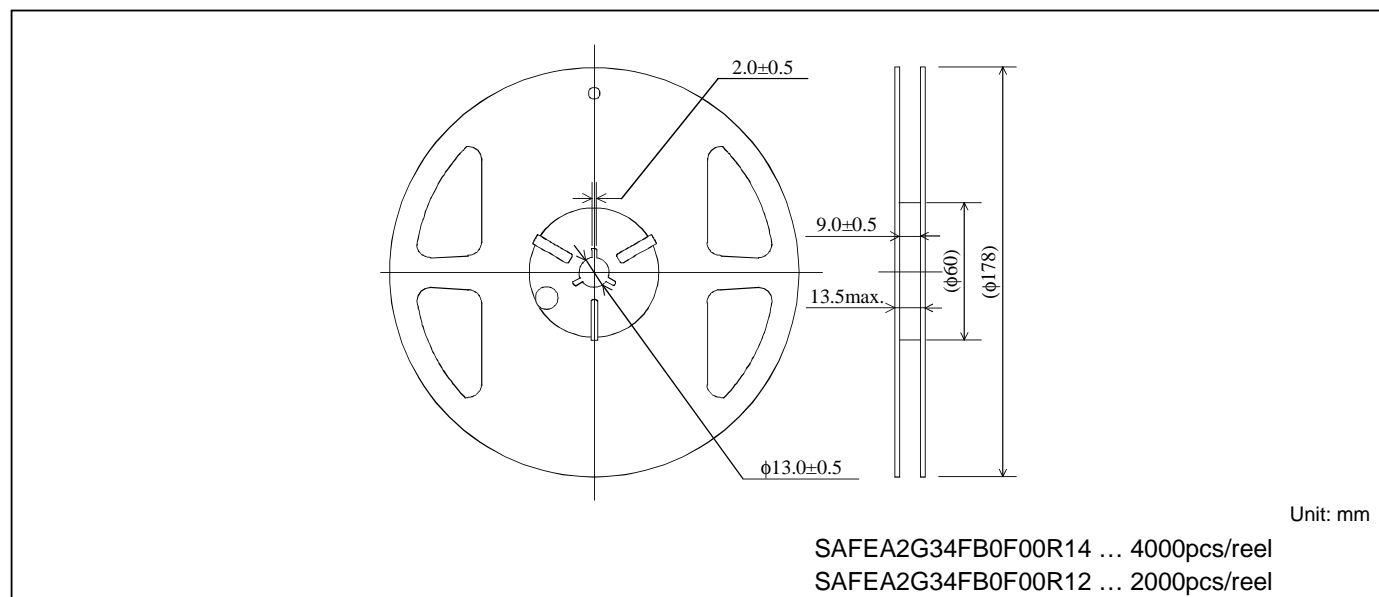
■ Dimensions of Carrier Tape



■ Dimensions of Tape



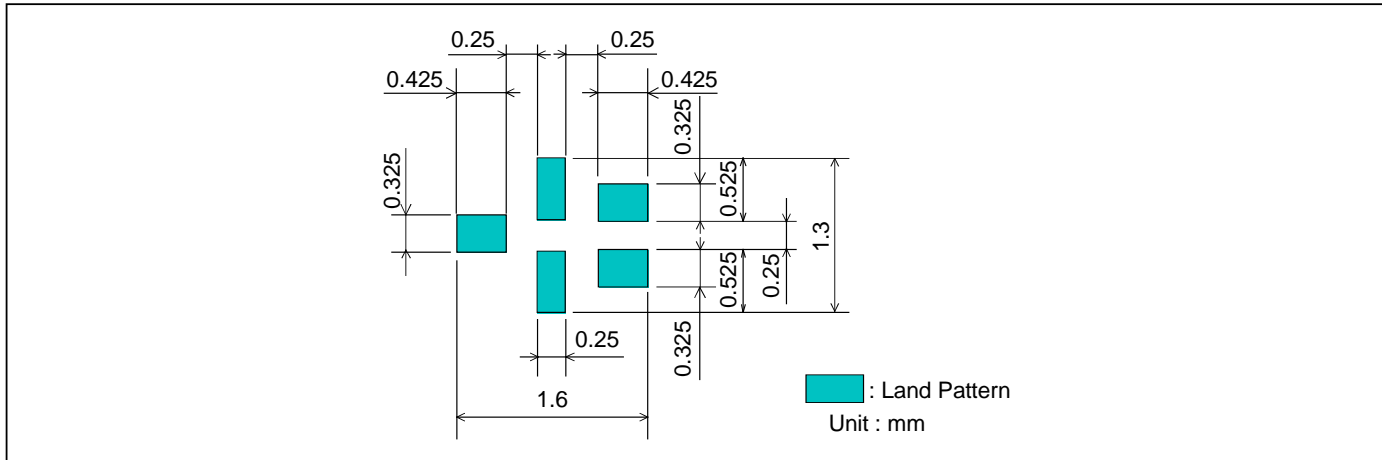
■ Dimensions of Reel



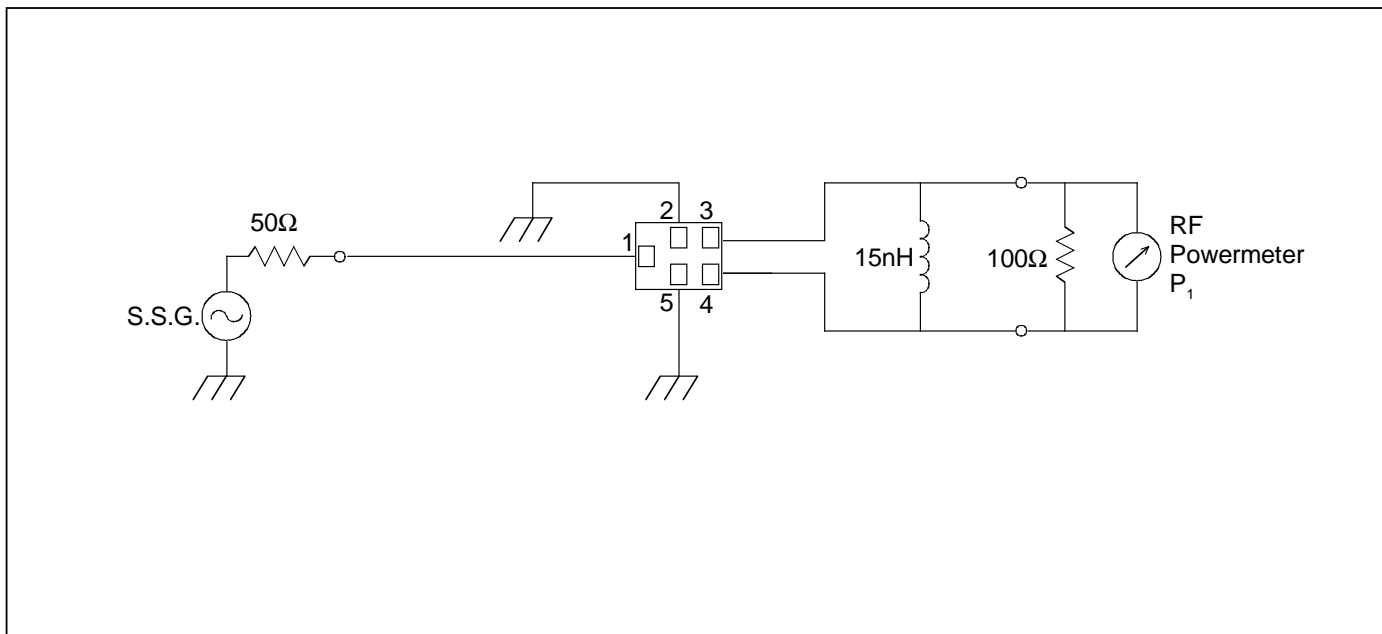
SAW FILTER FOR WiBro

Murata part number : SAFEA2G34FB0F00

Recommended Land Pattern



Test Circuit



- This PDF Datasheet is downloaded from the website of Murata Manufacturing Co., Ltd. Therefore, it's specifications are subject to change or our products in it may be discontinued without advance notice. Please check with our sales representatives or product engineers before ordering.
- This PDF Datasheet has only typical specifications because there is no space for detailed specifications. Therefore, please approve our product specifications or transact the approval sheet for product specifications before ordering.