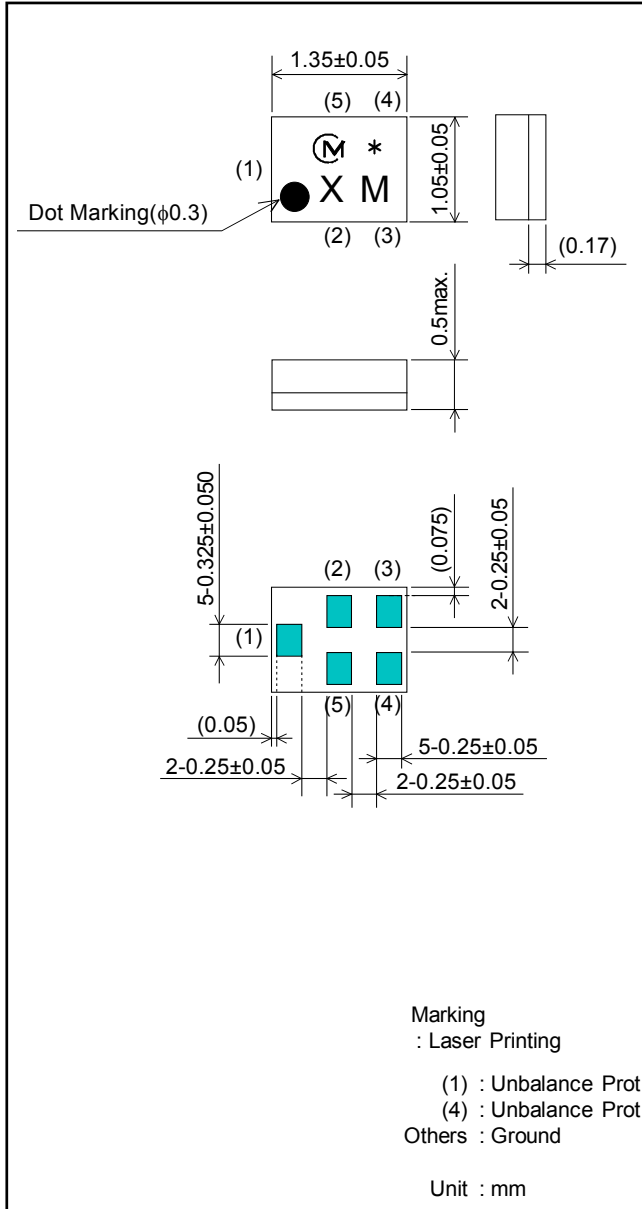


SAW FILTER FOR WLAN (2.4G)

Murata part number : SAFEA2G45AB0F00

Package Dimensions



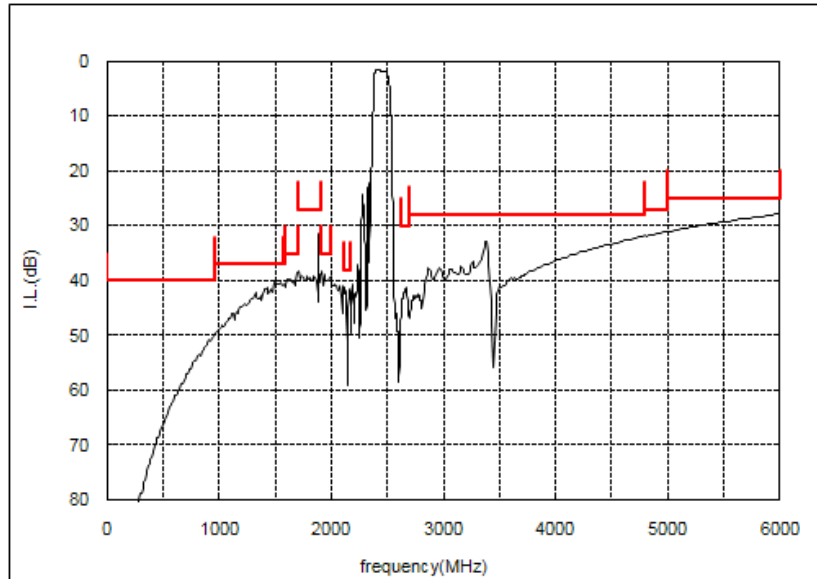
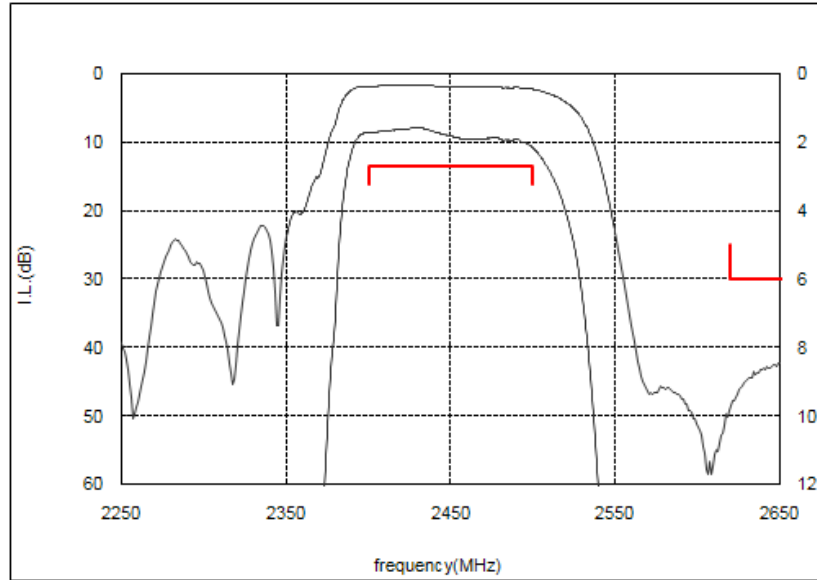
Specification

| Item | Specification | | |
|--|--------------------------|-------------|--------|
| | -30 to 85°C | 25±2°C | typ. |
| Nominal Center Frequency(fc) | 2450MHz | | |
| Insertion Loss (2400 to 2500MHz) | 2.7 dB max. | 2.5 dB max. | 2.2 dB |
| Absolute Attenuation | | | |
| 1) 0.1 to 960 MHz | 40 dB min. | 40 dB min. | 50 dB |
| 2) 960 to 1570 MHz | 37 dB min. | 37 dB min. | 40 dB |
| 3) 1570 to 1580 MHz | 37 dB min. | 37 dB min. | 40 dB |
| 4) 1580 to 1710 MHz | 35 dB min. | 35 dB min. | 38 dB |
| 5) 1710 to 1910 MHz | 27 dB min. | 27 dB min. | 31 dB |
| 6) 1910 to 1990 MHz | 35 dB min. | 35 dB min. | 38 dB |
| 7) 2110 to 2170 MHz | 38 dB min. | 38 dB min. | 41 dB |
| 8) 2620 to 2690 MHz | 30 dB min. | 30 dB min. | 40 dB |
| 9) 2690 to 4800 MHz | 28 dB min. | 28 dB min. | 31 dB |
| 10) 4800 to 5000 MHz | 27 dB min. | 27 dB min. | 31 dB |
| 11) 5000 to 6000 MHz | 25 dB min. | 25 dB min. | 27 dB |
| Ripple Deviation (2400 to 2500MHz) | 1.5dB max. | 1.4dB max. | 0.7 dB |
| VSWR (2400 to 2500MHz) | 2.0 max. | 2.0 max. | 1.7 |
| Unbalance Port Matching Impedance (nominal) | 50Ω//5.1nH | | |
| Input Signal Level | 10mW(+10dBm), 8000 hours | | |

SAW FILTER FOR WLAN (2.4G)

Murata part number : SAFEA2G45AB0F00

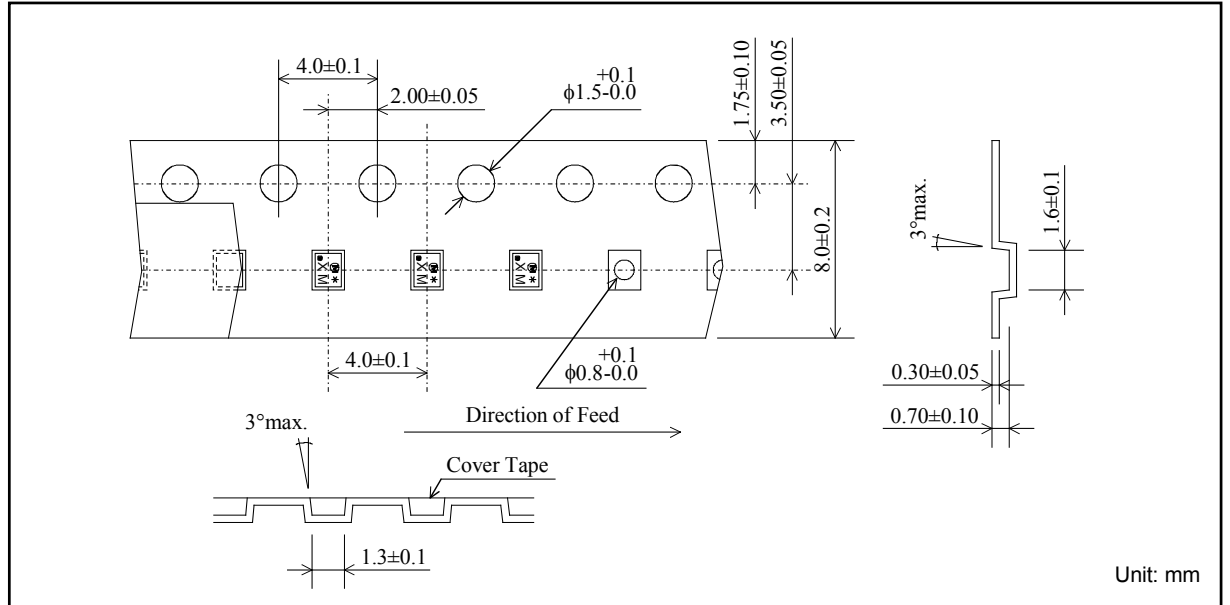
■ Frequency Performance



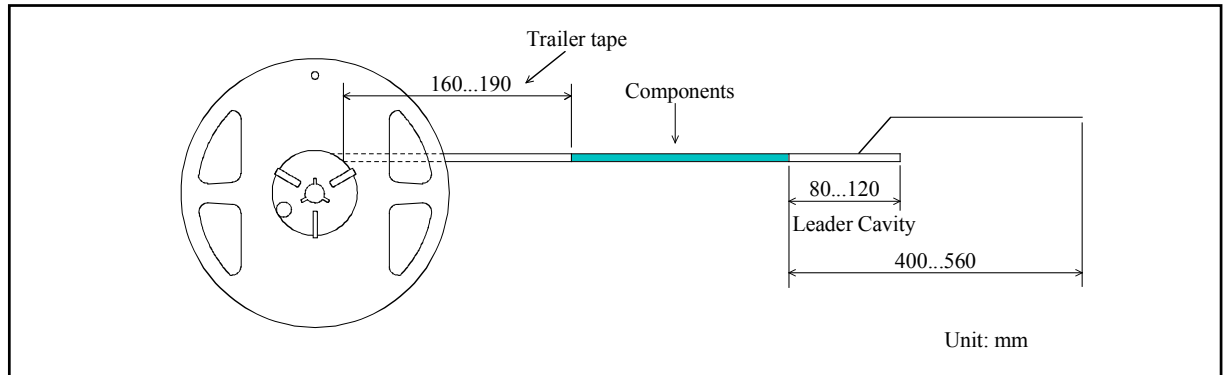
SAW FILTER FOR WLAN (2.4G)

Murata part number : SAFEA2G45AB0F00

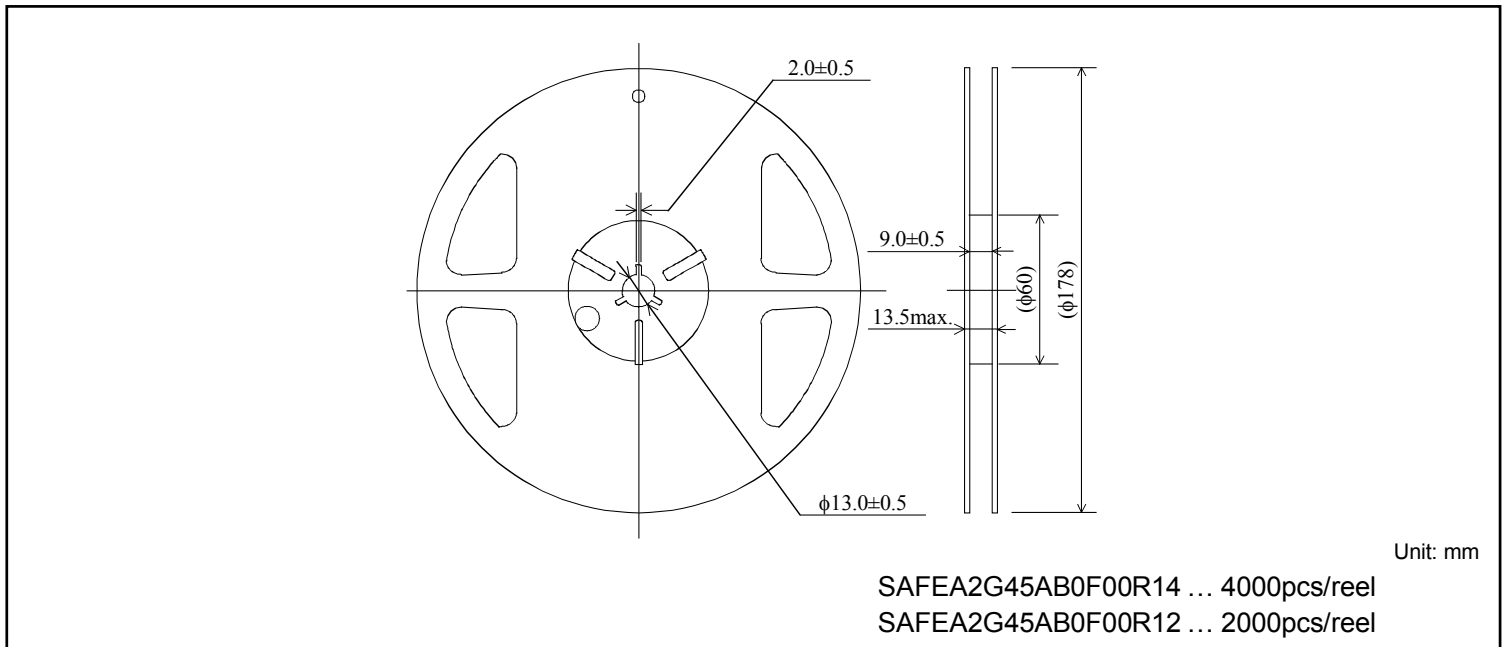
Dimensions of Carrier Tape



Dimensions of Tape



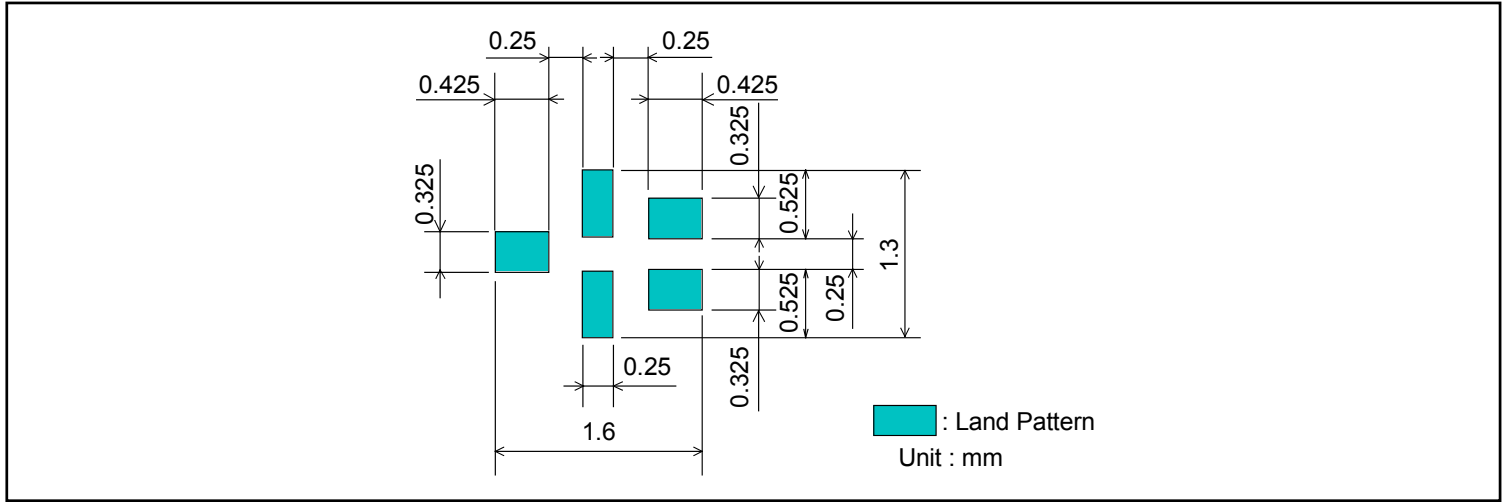
Dimensions of Reel



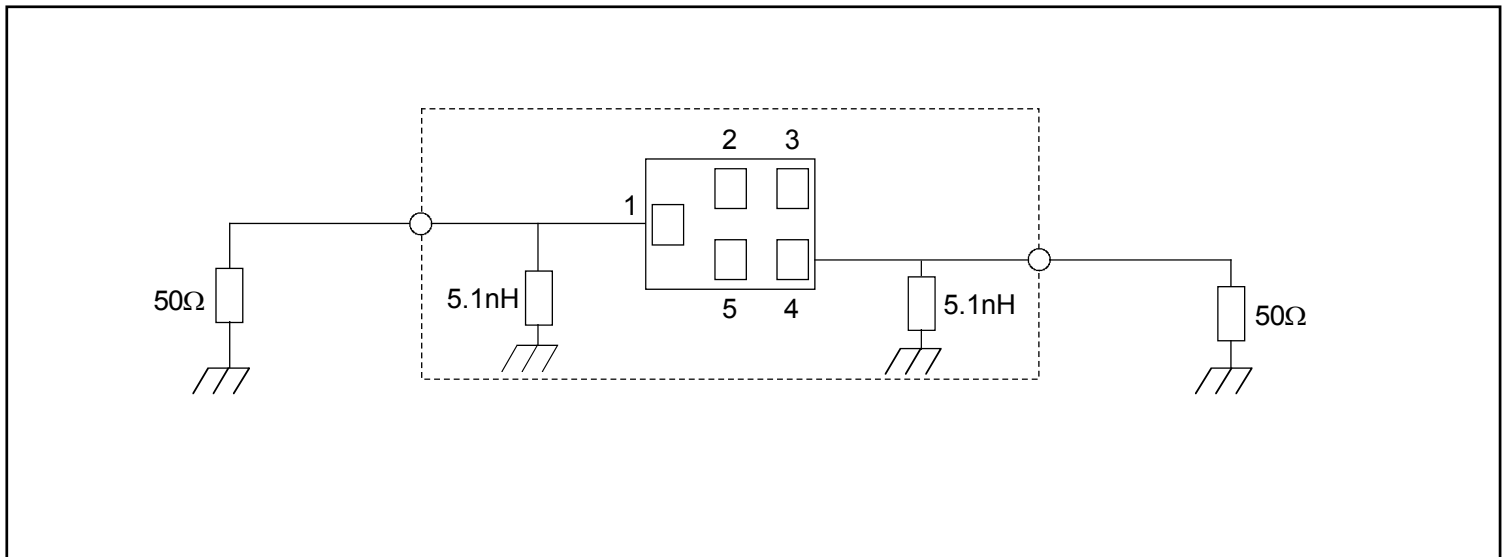
SAW FILTER FOR WLAN (2.4G)

Murata part number : SAFEA2G45AB0F00

Recommended Land Pattern



Test Circuit



- This PDF Datasheet is downloaded from the website of Murata Manufacturing Co., Ltd. Therefore, it's specifications are subject to change or our products in it may be discontinued without advance notice. Please check with our sales representatives or product engineers before ordering.
- This PDF Datasheet has only typical specifications because there is no space for detailed specifications. Therefore, please approve our product specifications or transact the approval sheet for product specifications before ordering.