

# Multilayer Balanced Band Pass Filter

Part Number : DEA202450BT-7041E1

## [FEATURES]

- Miniature Balanced Band Pass Filter
- Matched to CSR BC4 IC
- Package size: 2.0 x 1.25mm
- Low Profile : 0.7mm max. height

## [PIN CONFIGURATION]

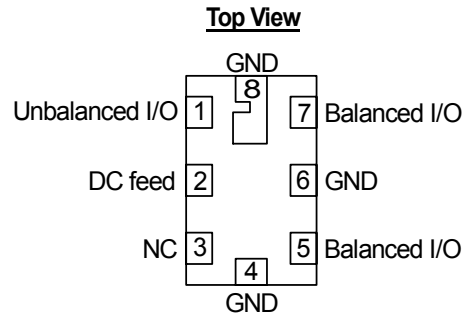


Fig 1

## [MECHANICAL DIMENSIONS]

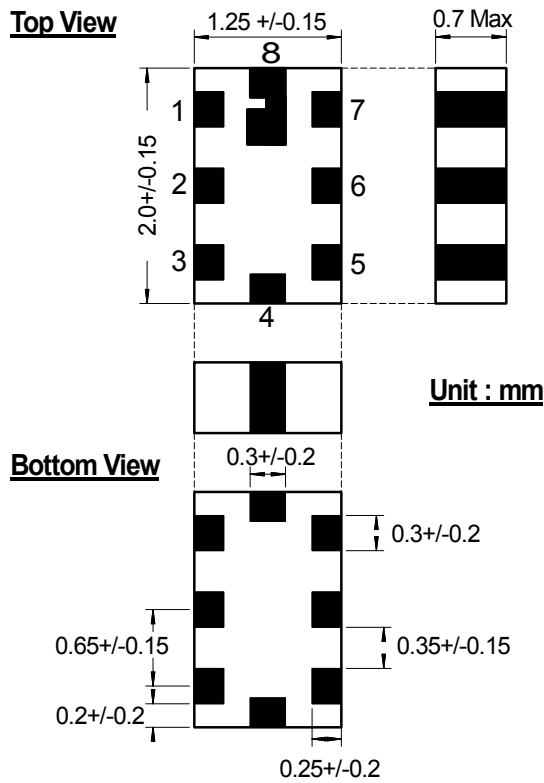


Fig 2

DEA202450BT-7041E1

## [ELECTRICAL PERFORMANCE]

Temperature +25°C unless otherwise specified

Parameter	Freq. (MHz)	TDK Specification	Unit
Insertion Loss	2402 – 2480	5.0 max.	dB
Single ended port characteristic impedance	-	Matched to CSR BC4 IC Reference board	ohm
Balanced ports impedance, nominal value	-	Matched to CSR BC4 IC Reference board	ohm
Return Loss: Unbalanced port		10 min	dB
Return Loss: Balanced port (with respect to nominal balanced impedance)	2402 – 2480	10 min	dB
Attenuation	880 – 960	35 min	dB
	1710 – 1880	25 min	dB
	1880 – 1990	25 min	dB
	2110 – 2170	20 min	dB
	4804 – 4960	30 min	dB
Phase Difference at Balanced Port	2402 – 2480	180 ± 15.0	Deg.
Amplitude Imbalance at Balanced Port	2402 – 2480	0 ± 2.0	dB

Storage Temperature : -40°C to +85°C

DEA202450BT-7041E1

All specifications are subject to change without notice.

Feb 2007 Ver. 12b

**[LAND PATTERN (TDK Recommended)]**

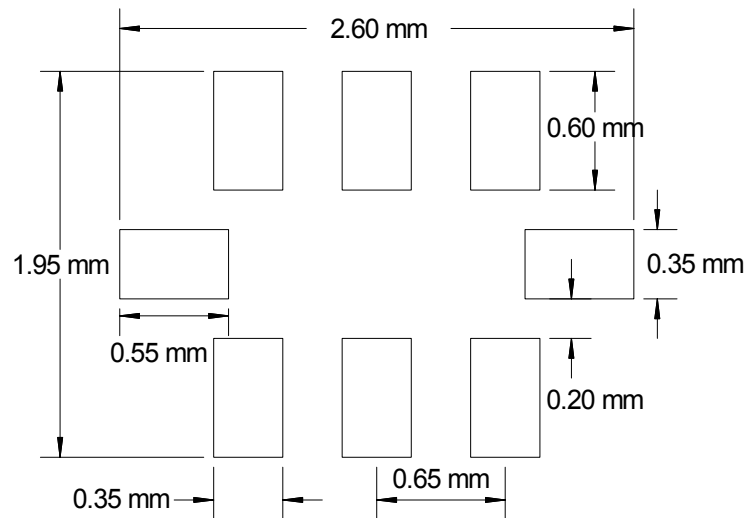


Fig 3

**Note1:** Pin 2 of the filter provides a DC feed connection to the balanced ports. In the event that this function is used, Pin 2 should be connected to ground using a 15pF de-coupling capacitor.

**Note2:** In the event that the pin 2 function is not used, the pin should be left unconnected.

**[PCB TOP METAL LAYER]**

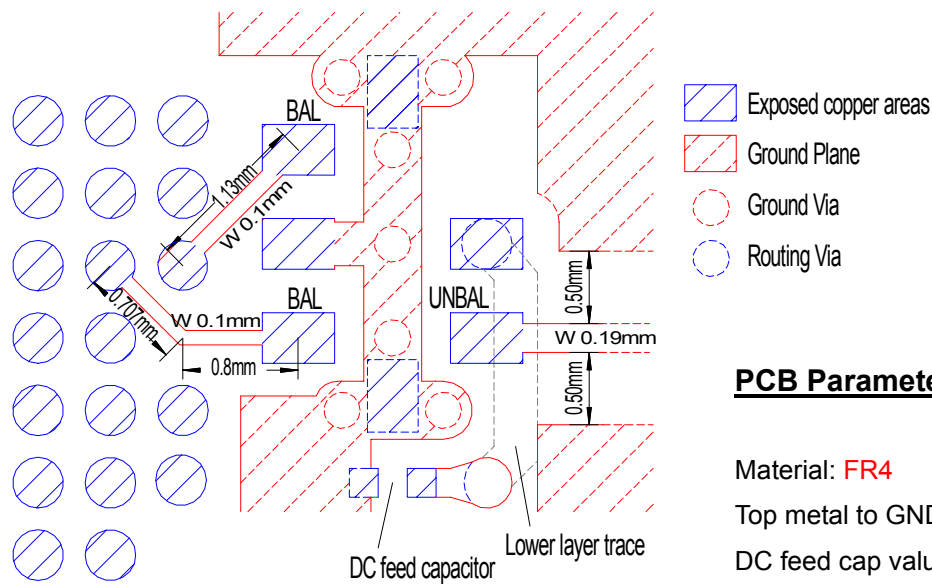


Fig 4

**PCB Parameters:**

Material: **FR4**

Top metal to GND layer height: **0.1mm**

DC feed cap value: **15pF**

DEA202450BT-7041E1

# [TAPE & REEL INFORMATION]

## Carrier Tape

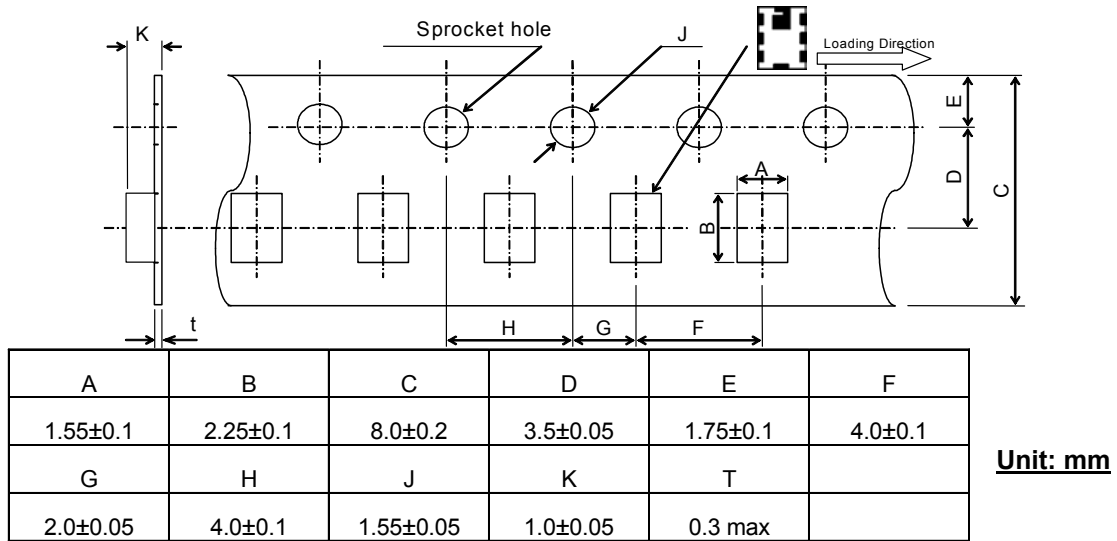
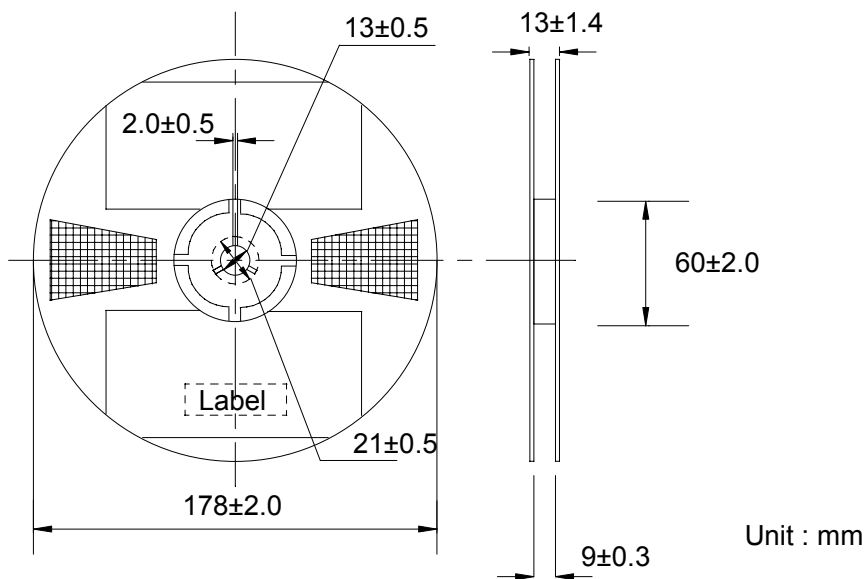


Fig 5

## Reel Dimensions



Standard package quantities: 2000pcs/reel

Fig 6

DEA202450BT-7041E1

## **[RoHS STATEMENT]**

*“In conformity with EU directive 2002/95/EC, lead, cadmium, mercury, hexavalent chromium and specific bromine-based flame retardants, PBB and PBDE, have not been used in the materials of this part.”*

## **[CONTACT INFORMATION]**

Any inquires about this part can be addressed to the following TDK sales representatives:

Mr. Conor Duffy. Email: [cduffy@tdk.de](mailto:cduffy@tdk.de)

Mr. Graeme Cruickshanks. Email: [Cruickshanks@tdk.de](mailto:Cruickshanks@tdk.de)

**[END OF DOCUMENT]**

DEA202450BT-7041E1