

# PE1 Series



## Specifications:

**Rated Voltage:** 250VAC Maximum - 50/60 Hz

**Rated Current:** 115VAC 250VAC  
10A 10A

**Current Overload:** 6X for 8 seconds

### Hi-Pot Test (1 min):

Line to Ground 1500VAC  
Line to Line 2250VDC

**Insulation Resistance:**  $9 \times 10^9 \Omega$  at 100VDC

**Ambient Temperature:** 40°C Max at rated current

**Humidity Range:** 0% to 95% R.H.

### Termination:

- QC – Quick Connect
- IEC Receptacle

### Maximum Leakage Current:

Each Line to Ground	PE1	PE1-PO
115VAC, 60Hz:	0.25mA	0.4mA
250VAC, 50Hz:	0.40mA	.75mA

**Voltage Select Card:** Installed in 120VAC position unless otherwise specified

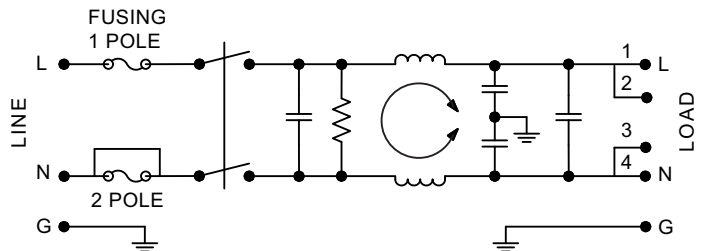
### Agency Approvals:



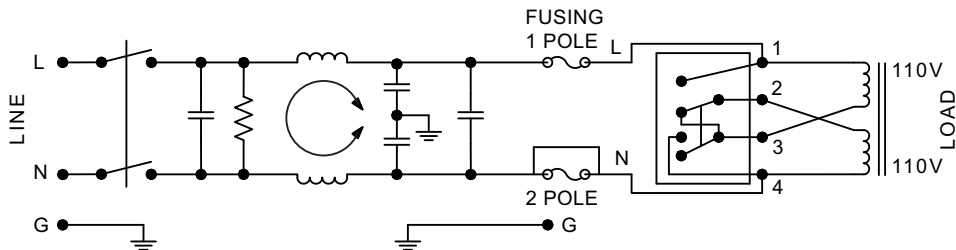
## Features:

- RFI Filter Module Combines IEC Connector, Fusing, Optional Voltage Select and On/Off Switch into a Single, Space-Efficient Assembly
- Enhanced Low Frequency Response with No Resonant Peaks
- Fully Shielded for Radiative Noise Control
- Accepts Either U.S. or European Standard Fuse Sizes. Dual or Single Power Line Fusing

**PE1 Series Simplified Schematic without Voltage Selector**



**PE1 Series Simplified Schematic with Voltage Selector**



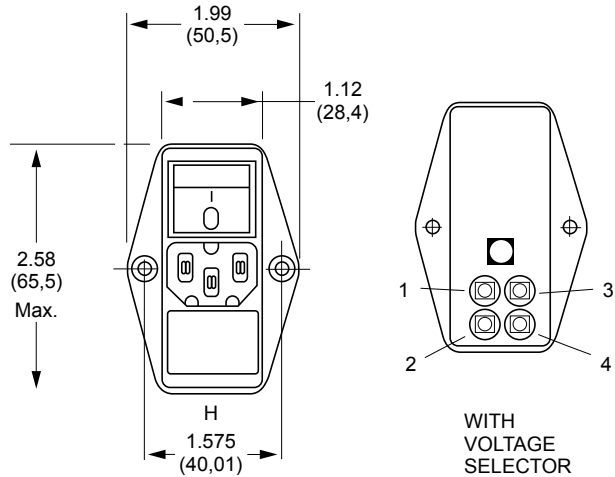
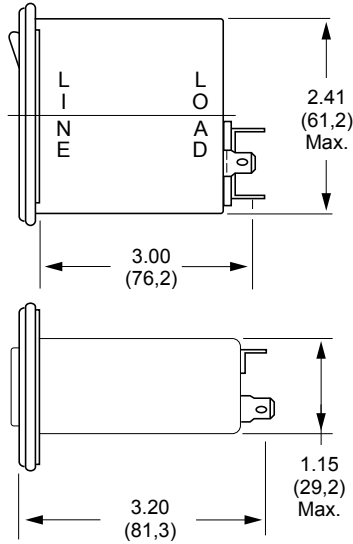
Nominal Current Rating	Part Number	Termination Line/Load	MINIMUM INSERTION LOSS - dB (50 ohm Circuit)							
			MODE	Frequency - MHz						
				.05	.15	.50	.10	5.0	10	30
10A	PE1XXX10	IEC/QC	Common	10	20	30	38	45	50	50
			Differential	10	20	30	35	55	60	55
10A	PE1XXXP0	IEC/QC	Common	13	24	33	38	48	54	54
			Differential	10	20	30	35	65	65	55

NOTE: Other combinations of terminals may be specified on special order.

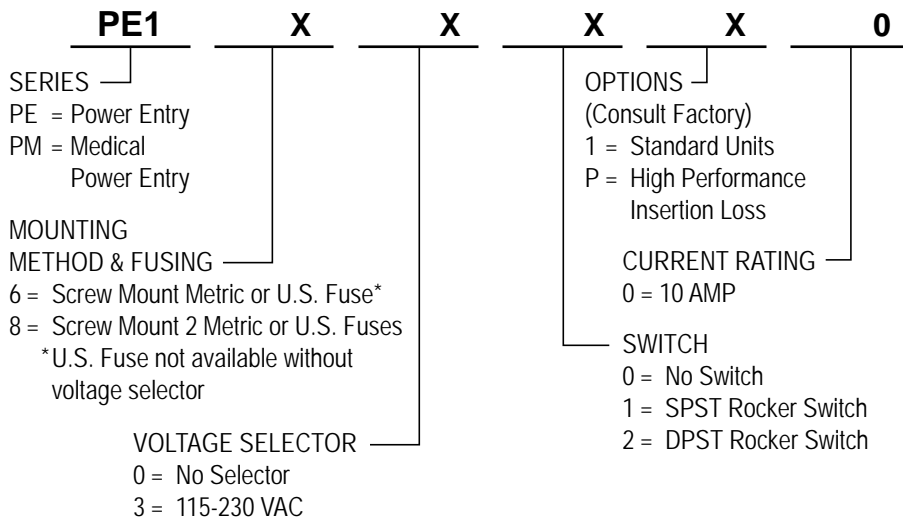


**PE1**  
(10Amp)  
Dimensions

Refer to Standard  
Mounting Cutouts on  
Page 58



**How to Order**



**INSTALLATION INSTRUCTION  
IMPORTANT – CHANGING  
FUSE/VOLTAGE**

**PE1**

To change fuse, remove power cord. Remove voltage selector and replace fuse. Reinsert fuse holder. To change the operating voltage on the PE1 Series, remove the power cord and rotate fuse holder block until desired voltage aligns with the mark on the module housing.

- Filter shipped without fuse.

**Always use caution when selecting and changing fuses and voltage requirements. Curtis Industries is not responsible for malfunction due to improper installation/selection of fuse and/or voltage select.**

