

# PM7/PM8 Series



## Specifications:

**Rated Voltage:** 250VAC Maximum - 50/60 Hz

**Rated Current:** 115VAC 250VAC  
3A 3A  
6A 6A

**Current Overload:** 6X for 8 Seconds

**Hi-Pot Test (1 min):**

Line to Ground 1500VAC  
Line to Line 1768VDC

**Insulation Resistance:**  $9 \times 10^9 \Omega$  at 100VDC

**Ambient Temperature:** 40°C Max. at Rated Current

**Humidity Range:** 0% to 95% R.H.

**Termination:**

- IEC Receptacle
- Wire Wrap/Solder

**Maximum Leakage Current:**

Each Line to Ground **PM7, PM 8**  
115VAC, 60Hz: 0.002mA  
250VAC, 50Hz: 0.005mA

**Voltage Select Card:** Installed in 120VAC position unless otherwise specified

**Agency Approvals:**

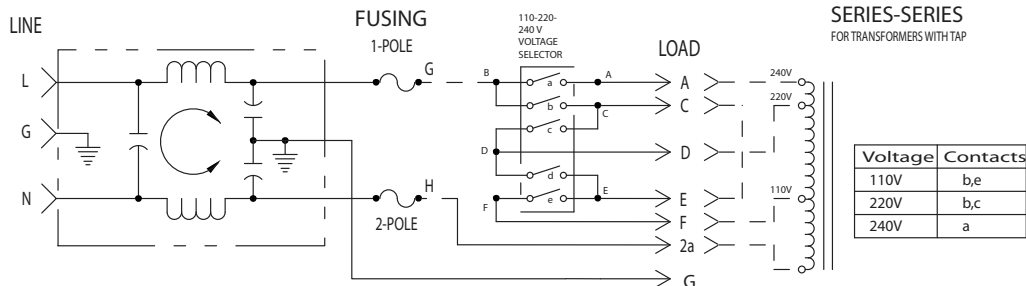


Refer to Page 80 for Ordering Instructions

## Features:

- RFI Filter Module Combines IEC Connector, Fusing, and Voltage Select Features in One Unit
- PM7 Series Filters Provide 20% More Differential Mode Attenuation Than Comparable Units
- Accepts Either U.S. or European Standard Fuse Sizes
- Available to UL/IEC 60601 Standard and Meets UL 544 Specification for Medical and Dental Applications

## PM7 Series Simplified Schematic



Nominal Current Rating	Part Number	Termination Line/Load	MINIMUM INSERTION LOSS - dB (50 ohm Circuit)						
			MODE	Frequency - MHz					
				.15	.50	1.0	5.0	10	30
3A	PM7XXX03 PM8XXX03	IEC/Solder Tabs	Common	14	20	22	24	22	15
			Differential	8	18	24	46	50	40
6A	PM7XXX06 PM8XXX06	IEC/Solder Tabs	Common	10	15	18	18	18	15
			Differential	8	18	24	39	40	40

NOTE: Other combinations of terminals may be specified on special order.

Dimensions are in inches and millimeters unless otherwise specified. Values in parentheses are metric equivalents.



**Curtis Industries**  
A Division of Powers Holdings, Inc.

1-800-657-0853

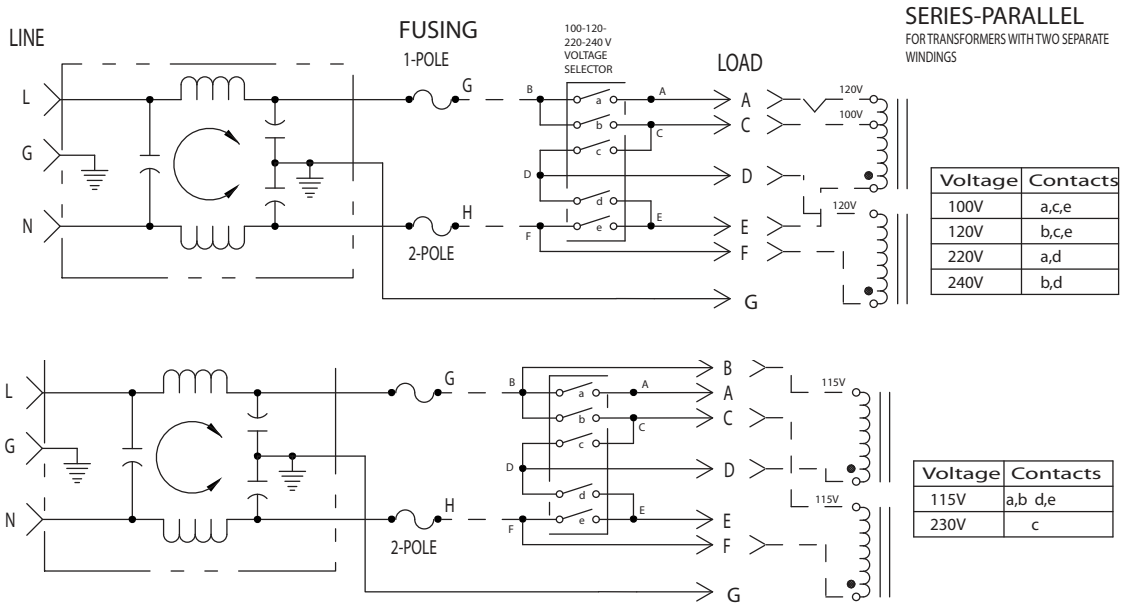
77

Combination

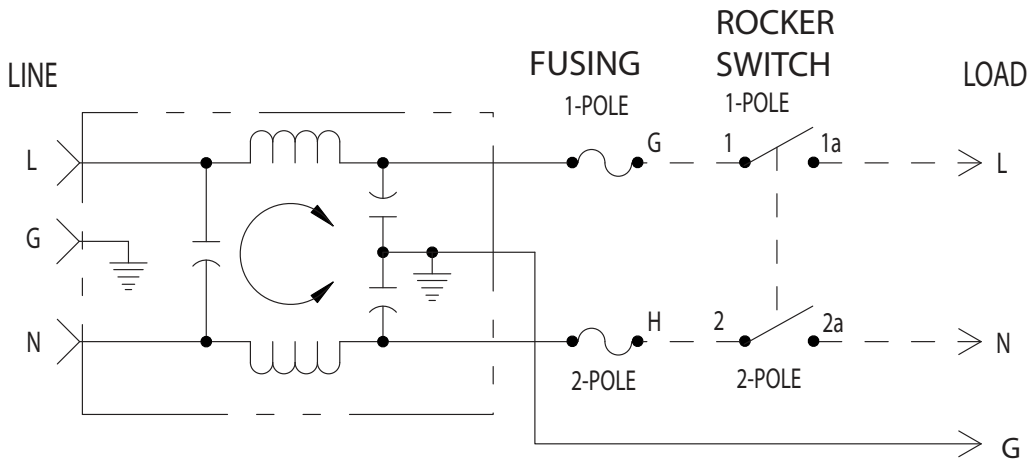
MEDICAL FILTERS

# PM7/PM8 Series (continued)

## PM7 Series Simplified Schematic



## PM8 Series Simplified Schematic



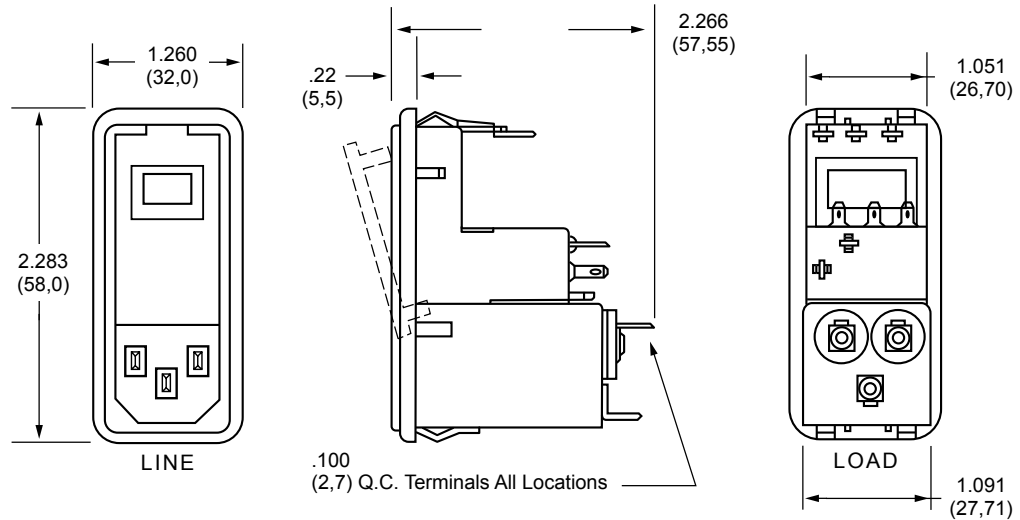
Combination

MEDICAL FILTERS



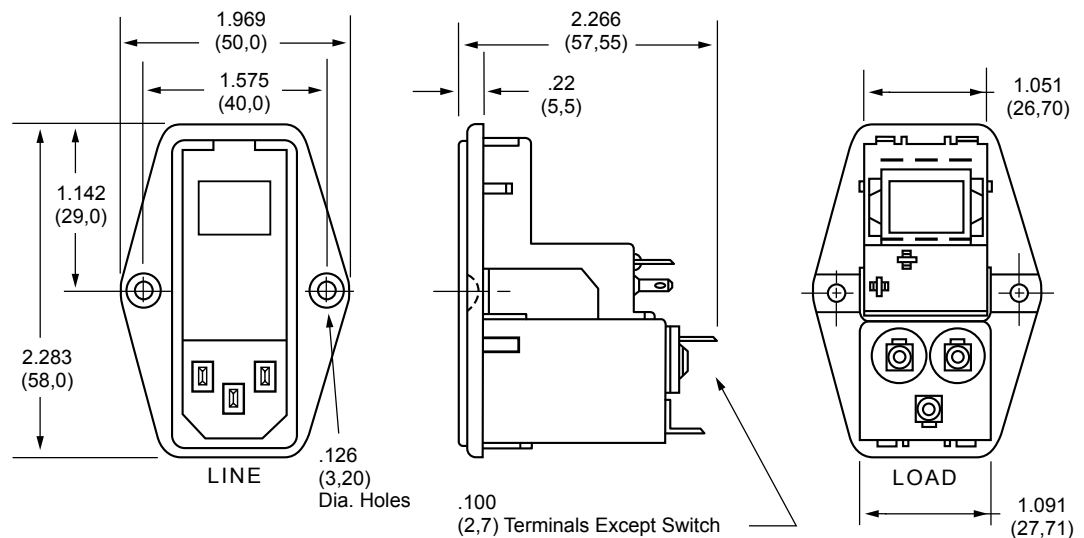
## PM7/PM8 Snap-Mount Series (3 and 6Amp) Dimensions

Refer to Page 80  
for Standard  
Mounting Cutouts



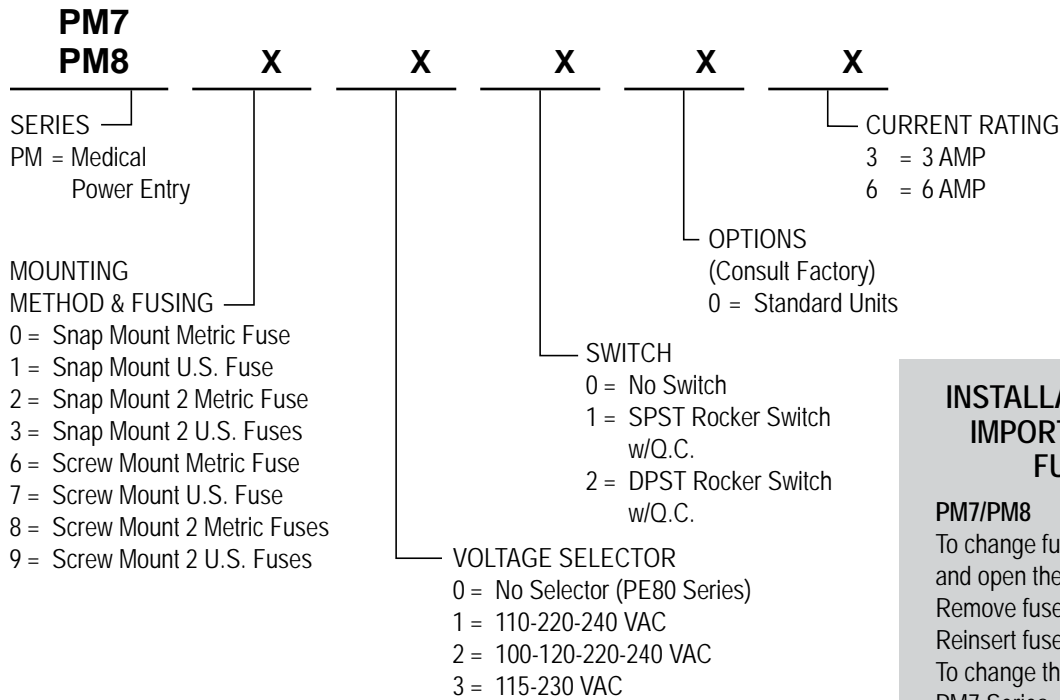
## PM7/PM8 Screw-Mount Series (3 and 6Amp) Dimensions

Refer to Page 80  
for Standard  
Mounting Cutouts



# PM7/PM8 Series *(continued)*

## How to Order



### INSTALLATION INSTRUCTION IMPORTANT – CHANGING FUSE/VOLTAGE

#### PM7/PM8

To change fuse, remove power cord and open the front cover on the module. Remove fuse holder and replace fuse. Reinsert fuse holder and close cover. To change the operating voltage on the PM7 Series, remove the power cord and open front cover. Rotate voltage select wheel until desired voltage appears in window of cover.

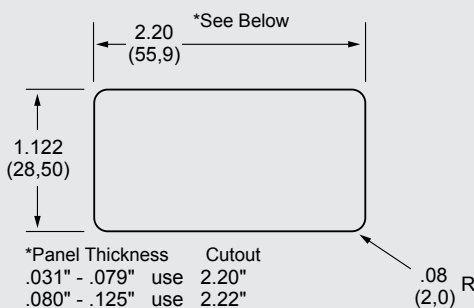
- Filter shipped without fuse.

Always use caution when selecting and changing fuses and voltage requirements. Curtis Industries is not responsible for malfunction due to improper installation/selection of fuse and/or voltage select.

Combination

MEDICAL FILTERS

### PM7/PM8 Snap-Mount Series



### PM7/PM8 Screw Mount Series

