

# SAFETY ORGANIZATIONS

THIS FILTER HAS NOT YET BEEN FORMALLY RECOGNIZED, CERTIFIED OR APPROVED BY THE LISTED AGENCY. THEREFORE, ALL TEST/REQUIREMENTS SPECIFIED IN THE LATEST REVISION OF THE FOLLOWING AGENCY STANDARDS HAVE NOT YET BEEN MET:

- UL RECOGNIZED: UL 1283
- CSA CERTIFIED: CSA 22.2, # 8
- VDE APPROVED: VDE 565-3

# OPERATING SPECIFICATIONS

LINE CURRENT/VOLTAGE: 10 AMP, 125 VDC

LINE FREQUENCY: DC

MAXIMUM LEAKAGE CURRENT, EACH LINE TO GROUND: 0.01 mA @ 100VDC

OPERATING AMBIENT TEMP. RANGE: -10°C TO +55°C @ RATED CURRENT, I<sub>r</sub>.

IN AN AMBIENT, T<sub>0</sub>, HIGHER THAN 55°C, THE MAXIMUM OPERATING CURRENT, I<sub>0</sub>, IS AS FOLLOWS:

$$I_0 = I_r \sqrt{\frac{90 - T_0}{35}}$$

# RELIABILITY SPECIFICATIONS:

- STORAGE TEMPERATURE: -40°C TO +85°C
- HUMIDITY: 21 DAYS @ 40°C 95% RH.
- CURRENT OVERLOAD TEST: 6 TIMES I<sub>r</sub> FOR 8 SECONDS

# TEST SPECIFICATIONS:

- INDUCTANCE: .100 mH NOMINAL
- CAPACITANCE: (MEASURED @ 1KHz, 0.250VAC MAX., 25°C±1°C)
  - LINE TO GROUND: (0.005 μF ±20%)
  - LINE TO LINE: (0.100 μF ±20%)
- DISCHARGE RESISTOR: 3.3 MΩ
- L/G AND L/L I.R. NO DISCHARGE RESISTOR: 6000MΩ (MIN.) @ 100VDC, 20°C AND 50% RH

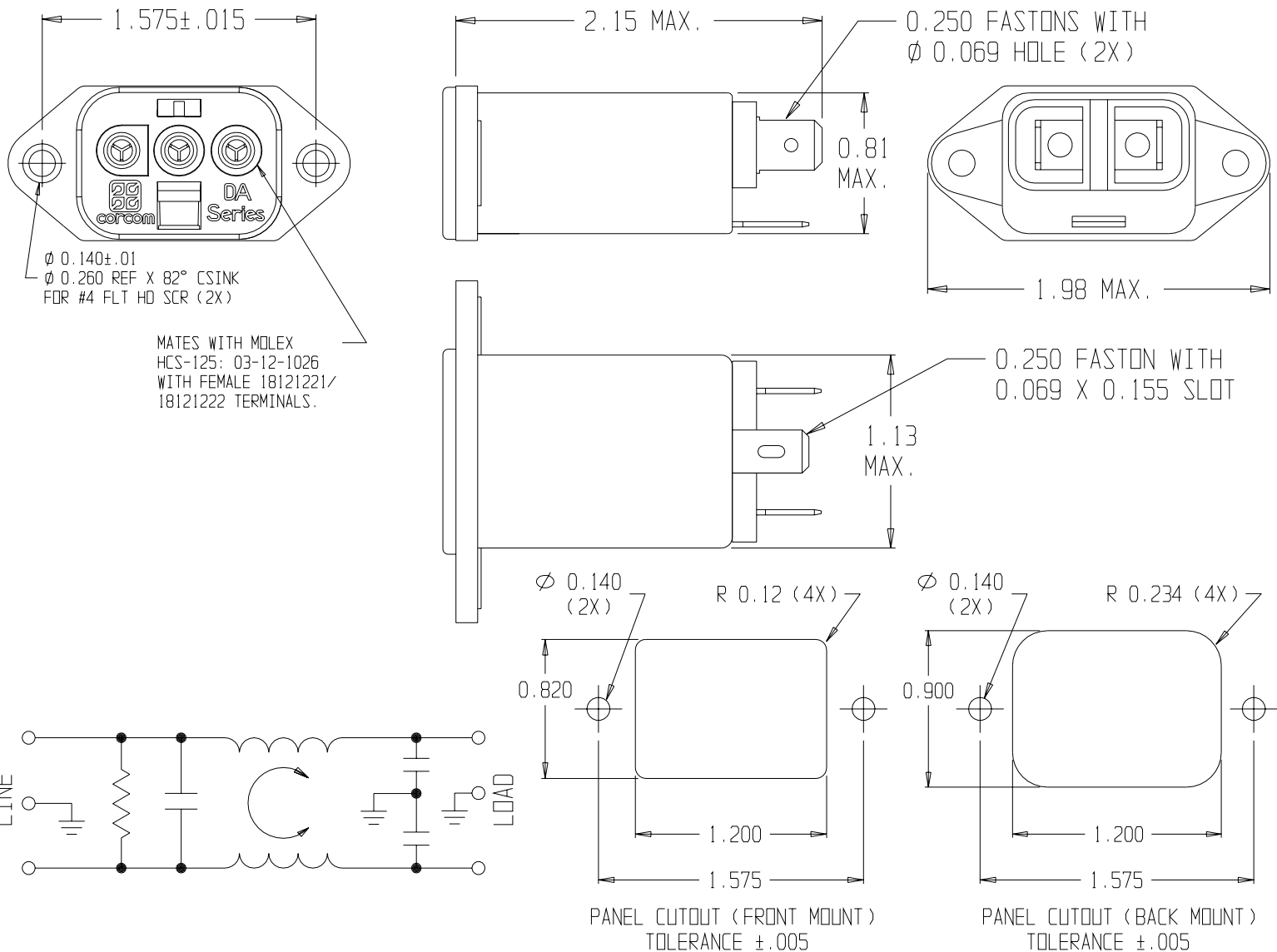
# RECOMMENDED RECEIVING INSPECTION HIPOT:

- LINE TO GROUND: 2250VDC FOR 1 MINUTE
- LINE TO LINE: 1450VDC FOR 1 MINUTE

# FILTER APPROVAL:

THE BEST WAY TO SELECT AND QUALIFY A FILTER IS FOR YOUR ENGINEERING TO TEST THE UNIT IN YOUR EQUIPMENT.

| CATALOG # 10DAF1 |         |        |
|------------------|---------|--------|
| ECN #            | APPRVD. | DATE   |
| 16003            | ELC     | 7/3/01 |



| 50Ω - 50Ω (MINIMUM) INSERTION LOSS |     |     |     |     |    |    |    |    |    |     |     |
|------------------------------------|-----|-----|-----|-----|----|----|----|----|----|-----|-----|
| FREQUENCY MHz                      | .05 | .10 | .15 | .50 | 1  | 3  | 5  | 10 | 30 | 100 | 200 |
| COMMON dB                          | -   | 1   | 4   | 8   | 17 | 25 | 30 | 36 | 38 | 21  | 11  |
| DIFF. dB                           | 2   | 4   | 6   | 17  | 22 | 23 | 32 | 48 | 38 | 30  | 26  |

THIRD ANGLE PROJECTION

UNLESS OTHERWISE SPECIFIED, TOLERANCE TO BE ±.025 MATERIAL & FINISH: AS SUPPLIED

This document is proprietary to CORCOM INC. and is not to be reproduced nor used for manufacturing purposes except on CORCOM'S prior written consent.

**corcom**  
844 E. ROCKLAND RD. LIBERTYVILLE IL 60048

**POWER LINE FILTER**

CAD FILE: 10DAF100  
SCALE: NTS DATE: 4/6/01  
DRW. BY: ELC ORIG: ELC

CATALOG NO. **10DAF1** REV. **0**