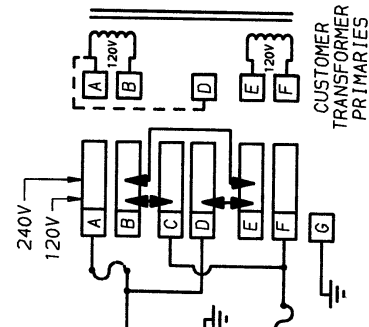
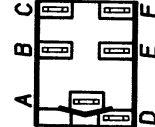
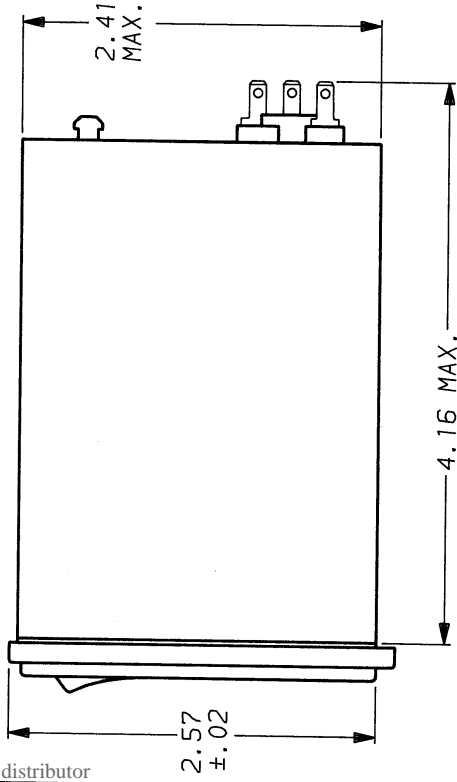
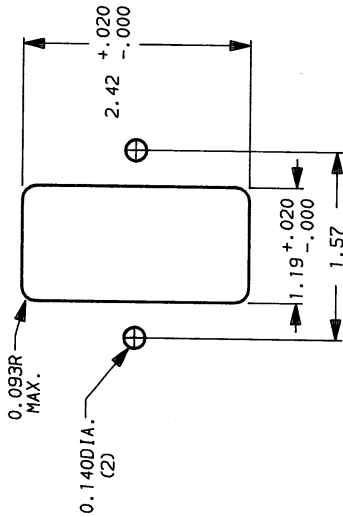


RECOMMENDED PANEL CUTOUT
(NOT TO SCALE)



FREQUENCY MHz	.01	.02	.03	.05	.07	.15	.50	1.0	5.0	10	30
COMMON dB	15	21	24	29	32	40	44	40	40	40	40
DIFF. dB	—	3	14	29	38	57	72	72	65	55	50

This document is proprietary to CORCOM INC. and is not to be reproduced nor used for manufacturing purposes except on CORCOM's order or prior written consent.

AN STYLE
SECTION TO "A"

APPROVED BY	6-29-90	DATE	REV
			2

SAFETY ORGANIZATION(S):

THIS FILTER HAS BEEN FORMALLY RECOGNIZED, CERTIFIED OR APPROVED BY THE LISTED AGENCY. THEREFORE, ALL TEST/REQUIREMENTS SPECIFIED IN THE LATEST REVISION OF THE FOLLOWING AGENCY STANDARDS HAVE BEEN MET:

- UL RECOGNIZED
- UL 1283
- CSA 22.2, NO.0,0,4,8
- VDE 565-3, 625
- SEV 1055/TP1977/5.1.1

OPERATING SPECIFICATIONS:

- LINE VOLTAGE/CURRENT:
- 3 AMP., 120 VAC
- 2 AMP./40°C, 250 VAC
- 50-60HZ
- LINE FREQUENCY:
- .3mA @ 120V 60Hz
- MAX. LEAKAGE CURRENT, EACH LINE TO GROUND
- .5mA @ 250V 50Hz
- OPERATING AMBIENT TEMP. RANGE:
- 10°C TO +40°C @ RATED CURRENT, I_r

IN AN AMBIENT, T_a, HIGHER THAN 40°C, THE MAXIMUM OPERATING CURRENT, I_o, IS AS FOLLOWS:

$$I_o = I_r \sqrt{\frac{85 - T_a}{45}}$$

RELIABILITY SPECIFICATIONS:

- STORAGE TEMPERATURE:
- 25°C TO +85°C
- HUMIDITY:
- 21 DAYS @ 40°C 95% RH
- CURRENT OVERLOAD TEST:
- 6 TIMES RATED CURRENT FOR 8 SECONDS

TEST SPECIFICATIONS:

- INDUCTANCE:
- 16mH NOMINAL
- CAPACITANCE: (MEASURED @ 1 KHz, 0.25 VAC MAX., 25°C ±1°C)
- .008µF ±20%
- LINE TO GROUND:
- .74µF ±20%
- LINE TO LINE:
- 330KΩ
- DISCHARGE RESISTOR:
- 6000 MΩ (MIN) AT 100 VDC
- LINE/GROUND AND LINE/LINE
- INSULATION RESISTANCE
- 20°C AND 50% RH

RECOMMENDED RECEIVING INSPECTION HIPOT:

- LINE TO GROUND:
- 2250 VDC FOR 1 MINUTE
- LINE TO LINE:
- 1450 VDC FOR 1 MINUTE

FILTER APPROVAL:

THE BEST WAY TO SELECT AND QUALIFY A FILTER IS FOR YOUR ENGINEERING TO TEST THE UNIT IN YOUR EQUIPMENT.

TOLERANCE EXCEPT AS NOTED

DECIMAL: .XXX .XX .X ANGLES ± 1°
ENGLISH: ±.025
METRIC: ±

MATERIAL: AS SUPPLIED



CORCOM
LIBERTYVILLE, IL 60048

POWER LINE FILTER

FINISH:

SCALE	DATE	DRG. NO.	REV.
NTS	6-1-87		3E2LA2S.02
DRW. BY	ORIGINATOR		
LJD	CFW		