

APPROVED BY C. Westoby 4-30-72 DATE: 5  
REV: 5

**SAFETY ORGANIZATION(S).**  
THIS FILTER HAS BEEN FORMALLY RECOGNIZED, CERTIFIED OR APPROVED BY THE LISTED AGENCY. THEREFORE, ALL TEST/REQUIREMENTS SPECIFIED IN THE LATEST REVISION OF THE FOLLOWING AGENCY STANDARDS HAVE BEEN MET.

UL RECOGNIZED  
CSA 22-2, NO. 0, 0, 4, 8  
VDE 565-3, 625  
SEN 432901  
SEV APPROVED  
SEV 1055/TP1977/5.1.1

**OPERATING SPECIFICATIONS.**  
LINE VOLTAGE/CURRENT,  
6 AMP., 120/250 VAC  
50-60HZ

LINE FREQUENCY,  
MAX. LEAKAGE CURRENT, EACH  
LINE TO GROUND  
0.25mA @ 120V 60HZ  
.40mA @ 250V 50HZ

OPERATING AMBIENT TEMP. RANGE,  
-10°C TO +40°C @ RATED CURRENT, I<sub>r</sub>  
IN AN AMBIENT, T<sub>a</sub>, HIGHER THAN 40°C, THE MAXIMUM OPERATING CURRENT, I<sub>o</sub>, IS AS FOLLOWS:  
 $I_o = I_r \sqrt{\frac{85 - T_a}{45}}$

RELIABILITY SPECIFICATIONS.  
STORAGE TEMPERATURE,  
-25°C TO +85°C  
21 DAYS @ 40°C 95% RH  
HUMIDITY,  
CURRENT OVERLOAD TEST,  
6 TIMES RATED CURRENT FOR 8 SECONDS

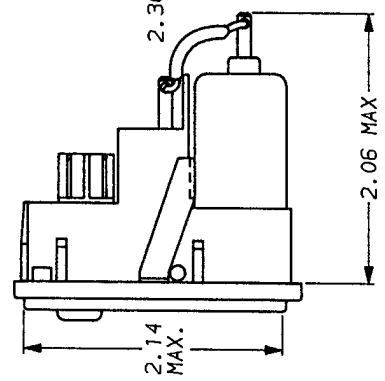
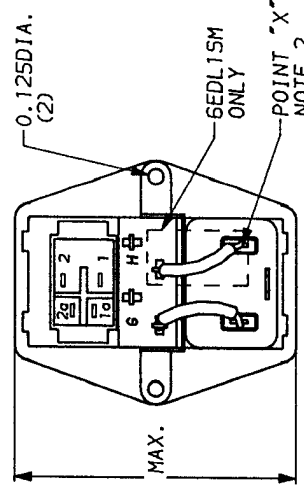
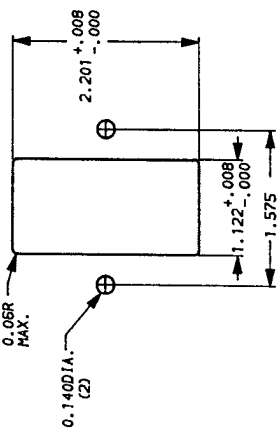
TEST SPECIFICATIONS.  
INDUCTANCE,  
.27mH NOMINAL  
CAPACITANCE; (MEASURED @ 1 KHZ, 0.25 VAC MAX., 25°C ±1°C)  
LINE TO GROUND,  
.0028µF ±20%  
LINE TO LINE,  
.047µF ±20%  
DISCHARGE RESISTOR,  
1.5 MΩ  
INSULATION RESISTANCE  
5000 MΩ (MIN) AT 100 VDC  
(H/O DISCHARGE RESISTOR)  
20°C AND 50% RH

RECOMMENDED RECEIVING INSPECTION HIPOIT.  
LINES TO GROUND,  
2250 VDC FOR 1 MINUTE  
LINE TO LINE,  
1450 VDC FOR 1 MINUTE  
FILTER APPROVAL,  
THE BEST WAY TO SELECT AND QUALIFY A FILTER IS FOR YOUR ENGINEERING TO TEST THE UNIT IN YOUR EQUIPMENT.

TOLERANCE EXCEPT AS NOTED  
DECIMAL: .XXX .XX .X ANGLES  
ENGLISH: ±.025 ±.1  
METRIC: ±

MATERIAL: AS SUPPLIED  
FINISH:

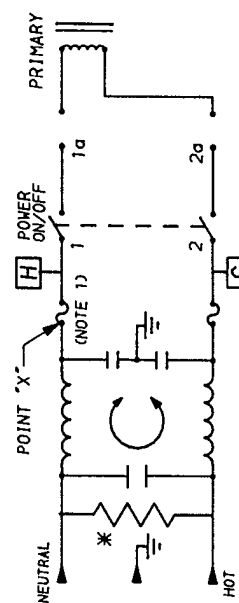
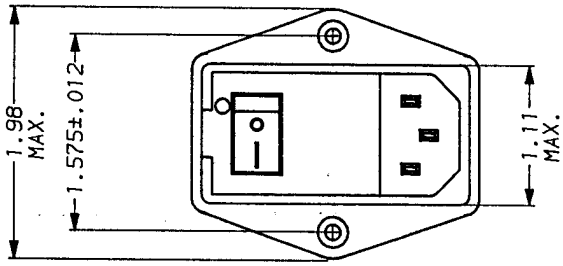
**RECOMMENDED PANEL CUTOUT**  
(NOT TO SCALE)



NOTE: ALL BACKPLATE TERMINALS ARE .110 FASTONS EXCEPT SWITCH TERMINALS WHICH ARE .187 FASTONS.



ALTERNATE SWITCH



NOTE:  
1.) PROVISION FOR DUAL EUROPEAN STYLE FUSING.  
2.) 6EDL15 JUMPER FROM POINT X TO 1 AND FROM G TO 2. 6EDL15CM JUMPER FROM H TO 1 AND FROM G TO 2.

\*RESISTOR ADDED TO PRODUCT BUILT AFTER 3-30-92 (9212).

50Ω - 50Ω (MINIMUM) INSERTION LOSS	
FREQUENCY MHZ	.05 .15 .50 1.0 3.0 5.0 10 30
COMMON dB	1 6 13 17 26 31 37 45
DIFF. dB	— 6 15 20 25 25 45 50

This document is proprietary to CORCOM INC. and is not to be reproduced nor used for manufacturing purposes except on CORCOM's order or prior written consent.

**corcom**  
LIBERTYVILLE, IL 60048

**POWER LINE FILTER**

SCALE: DATE: 3-4-87  
REV. NO. 5  
DRAWN BY: LJD  
CFW