

SAFETY ORGANIZATION(S):

THIS FILTER HAS BEEN FORMALLY RECOGNIZED, CERTIFIED OR APPROVED BY THE LISTED AGENCY. THEREFORE, ALL TEST/REQUIREMENTS SPECIFIED IN THE LATEST REVISION OF THE FOLLOWING AGENCY STANDARDS HAVE BEEN MET:

UL RECOGNIZED	UL 1283
CSA CERTIFIED	CSA 22.2, NO.0,0.4,8
VDE APPROVED	VDE 565-3, 625

OPERATING SPECIFICATIONS:

LINE VOLTAGE/CURRENT: 5 AMP., 120 VAC
4 AMP., 250 VAC
4 AMP./40°C, 250 VAC

LINE FREQUENCY: 50-60Hz

MAX. LEAKAGE CURRENT, EACH LINE TO GROUND: .25mA AT 120V 60Hz
.42mA AT 250V 50Hz

OPERATING AMBIENT TEMP. RANGE: -10°C TO +40°C @ RATED CURRENT, I

IN AN AMBIENT, T_a , HIGHER THAN 40°C, THE MAXIMUM OPERATING CURRENT, I_o , IS AS FOLLOWS:

$$I_o = I_r \sqrt{\frac{85 - T_a}{45}}$$

RELIABILITY SPECIFICATIONS:

STORAGE TEMPERATURE: -40°C TO +85°C
HUMIDITY: 21 DAYS @ 40°C 95% RH
CURRENT OVERLOAD TEST: 6 TIMES RATED CURRENT FOR 8 SECONDS

TEST SPECIFICATIONS:

INDUCTANCE: .93mH NOMINAL
CAPACITANCE: (MEASURED AT 1 KHz, 0.25 VAC MAX., 25°C ±1°C)
LINE TO LINE: .01µF ±20%
LINE TO GROUND: .005µF ±20%
DISCHARGE RESISTOR: 1.5 MΩ
LINE/GROUND AND LINE/LINE: 6000 MΩ (MIN)
INSULATION RESISTANCE AT 100 VDC (W/O DISCHARGE RESISTOR) 20°C AND 50% RH

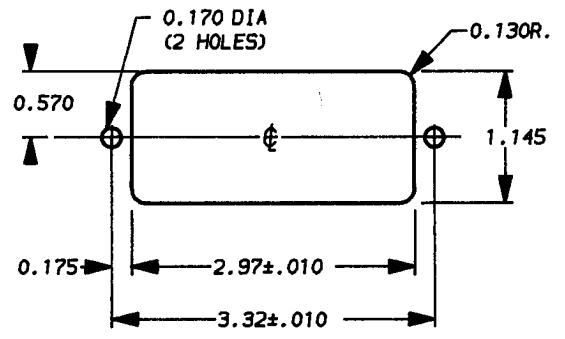
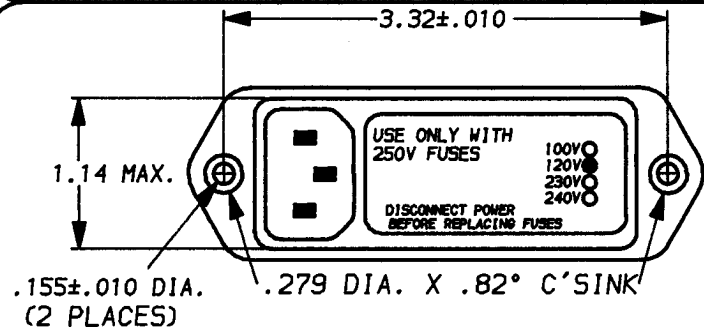
RECOMMENDED RECEIVING INSPECTION HIPOT:

LINES TO GROUND: 1500 VAC FOR 1 MINUTE
LINE TO LINE: 1450 VDC FOR 1 MINUTE

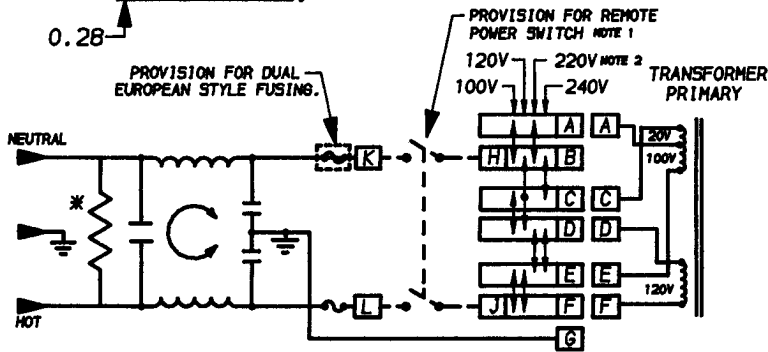
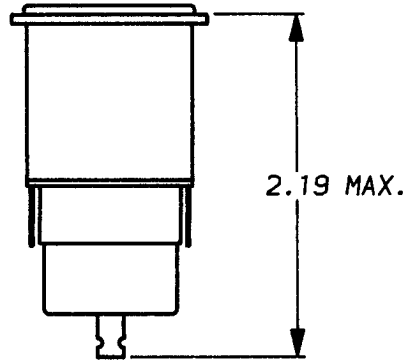
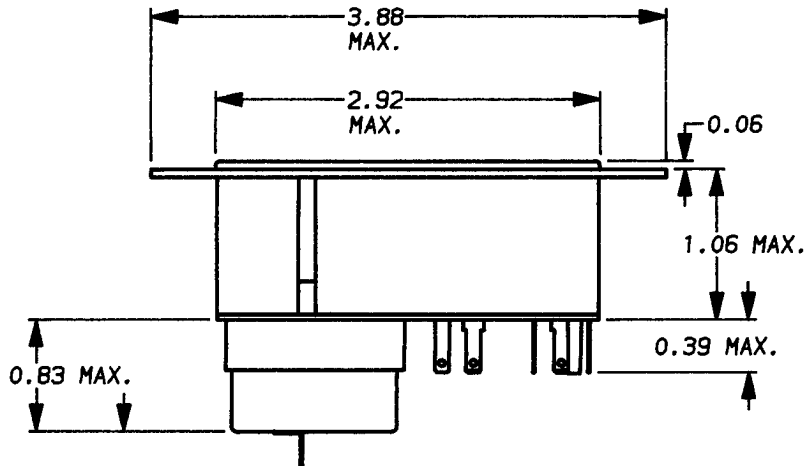
FILTER APPROVAL:

THE BEST WAY TO SELECT AND QUALIFY A FILTER IS FOR YOUR ENGINEERING TO TEST THE UNIT IN YOUR EQUIPMENT.

SEFM4



RECOMMENDED PANEL CUT-OUT
NOT TO SCALE



NOTE 1. JUMPERS REQUIRED IF NO SWITCH IS USED.
NOTE 2. 230V. FOR EUROPEAN APPLICATIONS.

50Ω - 50Ω (MINIMUM) INSERTION LOSS								
FREQUENCY MHz	.15	.50	1.0	2.0	5.0	10	20	30
COMMON dB	14	21	26	33	40	45	50	40
DIFF. dB								

	UNLESS OTHERWISE SPECIFIED, TOLERANCE TO BE ±.025	<p>LIBERTYVILLE, IL 60048</p> <p>POWER LINE FILTER</p>
	MATERIAL & FINISH: AS SUPPLIED	
	This document is proprietary to CORCOM INC. and is not to be reproduced nor used for manufacturing purposes except on CORCOM'S prior written consent.	
DATE: 4-18-94	CATALOG NO.	REV.
APPRVD.		SEFM4.05
CAD NO.	SEFM4.05	