

SAFETY ORGANIZATIONS

THIS FILTER HAS BEEN FORMALLY RECOGNIZED, CERTIFIED OR APPROVED BY THE LISTED AGENCY. THEREFORE, ALL TEST/REQUIREMENTS SPECIFIED IN THE LATEST REVISION OF THE FOLLOWING AGENCY STANDARDS HAVE BEEN MET:

UL RECOGNIZED: UL 1283
 CSA CERTIFIED: CSA 22.2, #8
 VDE APPROVED: EN 133 200

OPERATING SPECIFICATIONS

LINE CURRENT/VOLTAGE: 1 AMP 120/250VAC
 1 AMP/40°C, 250VAC

LINE FREQUENCY: 50-60Hz

MAXIMUM LEAKAGE CURRENT,

EACH LINE TO GROUND: 0.22 mA @ 120V 60Hz
 0.38 mA @ 250V 50Hz

OPERATING AMBIENT TEMP. RANGE: -10°C TO +40°C @ RATED CURRENT, I_r .

IN AN AMBIENT, T_0 , HIGHER THAN 40°C, THE MAXIMUM OPERATING CURRENT, I_0 , IS AS FOLLOWS:

$$I_0 = I_r \sqrt{\frac{85 - T_0}{45}}$$

RELIABILITY SPECIFICATIONS:

STORAGE TEMPERATURE: -40°C TO +85°C
 HUMIDITY: 21 DAYS @ 40°C 95% RH.
 CURRENT OVERLOAD TEST: 6 TIMES I_r FOR 8 SECONDS

TEST SPECIFICATIONS:

INDUCTANCE: 10.0mH NOMINAL
 CAPACITANCE: (MEASURED @ 1KHz, 0.250VAC MAX., 25°C±1°C)
 LINE TO GROUND: 0.0059µF ±20%
 LINE TO LINE: 0.1015µF ±20%
 DISCHARGE RESISTOR: 1.5M Ω
 L/G AND L/L I.R., NO DISCHARGE RESISTOR: 6000MΩ (MIN.) @ 100VDC, 20°C AND 50% RH

RECOMMENDED RECEIVING INSPECTION HIPOT:

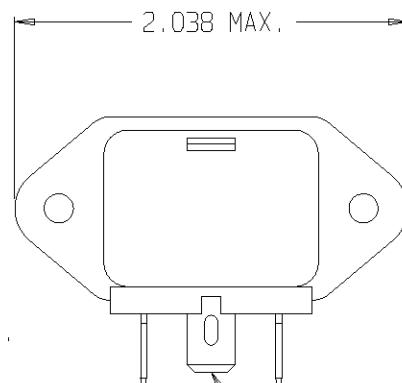
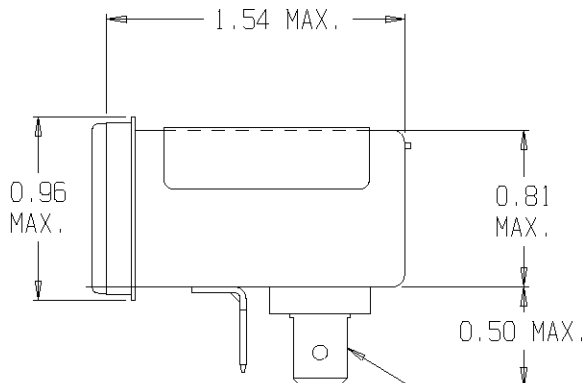
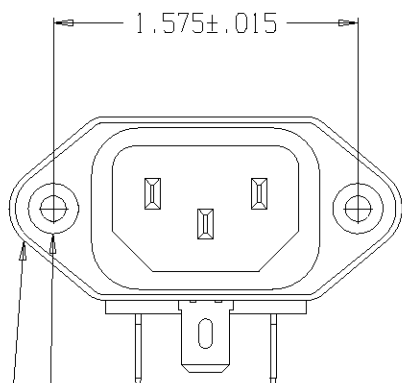
LINE TO GROUND: 1500 VAC OR 2250 VDC FOR 1 MINUTE
 LINE TO LINE: 1450 VDC FOR 1 MINUTE

FILTER APPROVAL:

THE BEST WAY TO SELECT AND QUALIFY A FILTER IS FOR YOUR ENGINEERING TO TEST THE UNIT IN YOUR EQUIPMENT.

CATALOG #1EEJ2

ECN #	APPRVD.	DATE
0631-0174-03	PJD	05MAY03
ECO-09-026495	AEG	10DEC09

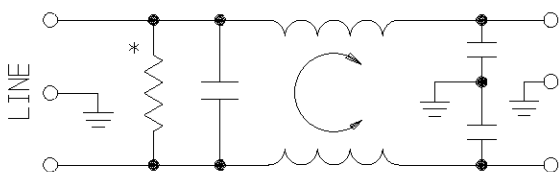
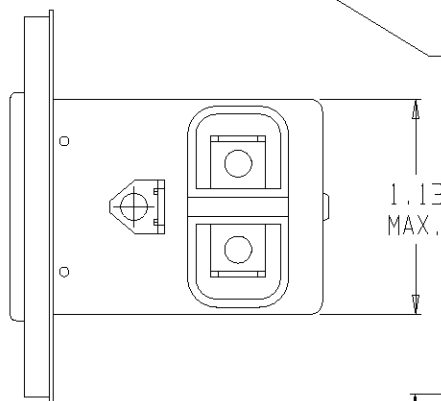


Ø0.132±.01 WITH 0.260 REF. X90° CONTERSUNK HOLE FOR #4 FLAT HEAD SCREW (2X)

CAN FLANGE EXTENDS BEYOND PERIMETER OF CONNECTOR AS SHOWN

0.25 TERMINAL WITH 0.069 HOLE (2X)

0.25 TERMINAL WITH 0.069 X 0.155 SLOT



* RESISTOR LOCATION OPTIONAL

Ø0.140 (2X) R0.234 (4X)

0.900

1.200
 1.575
 PANEL CUTOUT (BACK MOUNT)
 TOLERANCE ±.005

1609006-2 OBSOLETE **1**
6609006-2

1 OBSOLETE PARTS: OBSOLETE CIS STREAMLINING PER D.RENAUD/D.SINISI

50Ω - 50Ω (MINIMUM) INSERTION LOSS

FREQUENCY MHz	.01	.05	.10	.15	.50	1	5	10	30
COMMON dB	15	27	32	37	44	52	50	50	40
DIFF. dB	-	-	5	8	19	27	45	43	40

THIRD ANGLE PROJECTION

UNLESS OTHERWISE SPECIFIED, TOLERANCE TO BE ±.025 MATERIAL & FINISH: AS SUPPLIED

This document is proprietary to CORCOM INC. and is not to be reproduced nor used for manufacturing purposes except on CORCOM'S prior written consent.

tyco Electronics **corecom**
 844 E. ROCKLAND RD., LIBERTYVILLE IL 60048

POWER LINE FILTER

CAD FILE: G:\CD\1EEJ202	TYCO: 0-1609006-2	REV.
SCALE: NTS	DATE: 02-20-02	CATALOG NO.
DRW. BY: PJD	DRWG: PJD	1EEJ2
		3