

## IEC Appliance Inlet C20 with Filter, Front or Rear Side Mounting

Standard- or Medical-Filter

Screw-on mounting  
from front sideSnap-in mounting  
from front sideScrew-on mounting  
from rear side  
with wires (stranded)

V-Lock

C20



70° C

**Description**

- Panel Mount:  
Screw-on version from front or rear side, snap-in version from front side
- 2 Functions:  
Appliance Inlet Protection class I, Line filter in standard and medical version
- Solder, quick connect or wires (stranded)

**Approvals**

- VDE Certificate Number: 104884
- UL File Number: E72928
- CSA File Number: 97784

**Characteristics**

- Compact design with optimal shielding  
Suitable for assembly in metal plated plastic housings
- Version with class X1 and X2 (standard version) capacitors
- Universal line filter for standard applications  
Designed for standard and medical applications
- Qualified for use in equipment according IEC/EN 60950

**Other versions on request**

- 16A according to UL
- Capacity CX 330 nF

**References****Weblinks**

[General Product Information](#), [Approvals](#), [RoHS](#), [CHINA-RoHS](#), [Mating Connectors](#), [e-Store](#), [SCHURTER-Stock-Check](#), [Distributor-Stock-Check](#), [Accessories](#), [Wire Harness](#)

Newly available variants corresponding to V-Lock mating cordset. The connector is equipped with a notch intended for use with the latching cordset. The cord latching system prevents against accidental removal of the cordset.

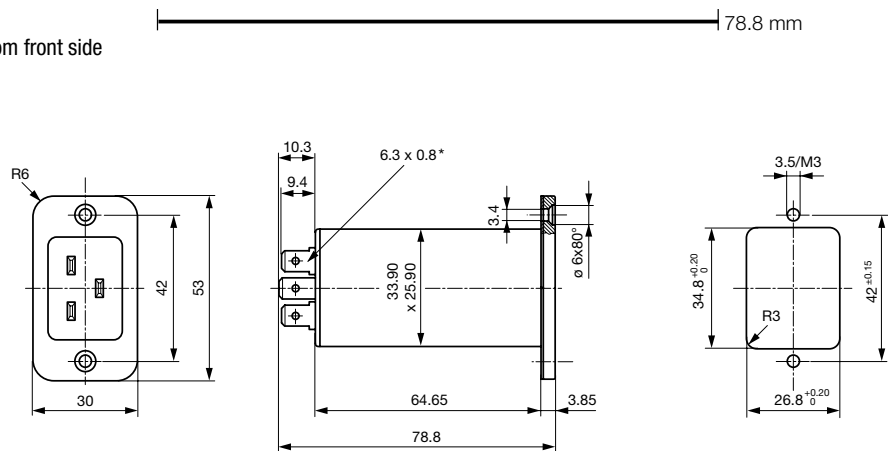
**Technical Data**

Ratings IEC	16A @ Ta 40 °C / 250VAC; 50Hz
Ratings UL/CSA	20A @ Ta 40 °C / 250VAC; 60Hz
Leakage Current	standard < 0.5mA (250V / 60Hz) medical < 5 µA (250 V / 60 Hz)
Dielectric Strength	> 1.7 kVDC between L-N (Cx2) > 2.7 kVDC between L/N-PE (Cy2) Test voltage (2 sec)
Impulse Withstand Voltage	> 2.5kV between L-N (CX2) > 4 kV between L-N (CX1) > 5kV between L/N-PE (Cy2) voltage (1.2/50 µs)
Allowable Operation Temp.	-25°C to 85°C
Climatic Category	25/085/21 acc. to IEC 60068-1
Degree of Protection	from front side IP 40 acc. to IEC 60529
Protection Class	Suitable for appliances with protection class 1 acc. to IEC 61140
Terminal	Solder, quick connect or wires (stranded)
Panel Thickness s	Screw: max 8 mm Mounting screw torque max 0.5Nm Snap-in: 1 mm to 3 mm
Material: Housing	Thermoplastic, black, UL 94V-0

Appliance-Inlet/-Outlet	C20 acc. to IEC/EN 60320-1, UL 498, CSA C22.2 no. 42 (for cold conditions) pin-temperature 70 °C, 16A, Protection Class 1
Line Filter	Standard and Medical Version, IEC 60939, IEC 60601-1, UL 1283, UL 544, EN 133 200, CSA C22.2 no. 8 <a href="#">Technical details</a>
MTBF	> 3'000'000h acc. to MIL-HB-217 F

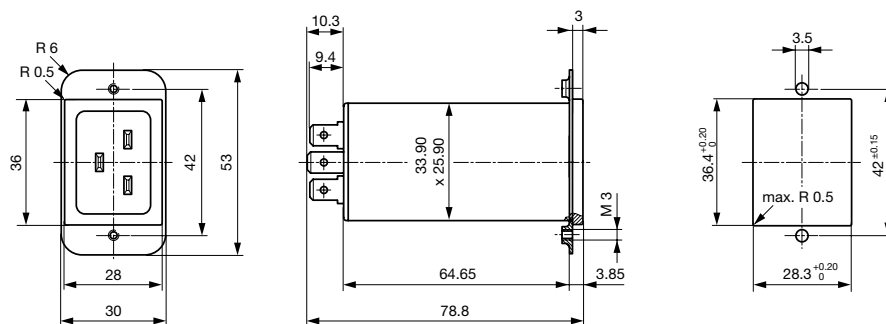
## Dimensions

Screw-on mounting from front side

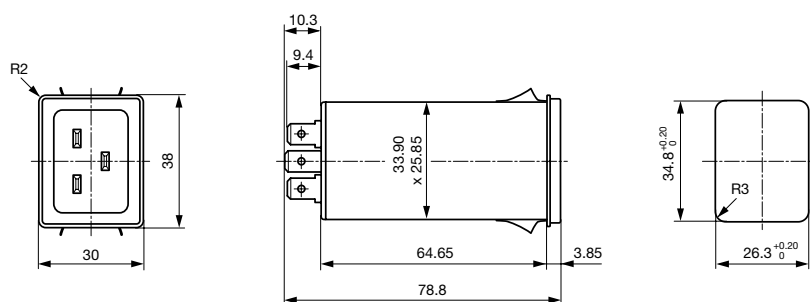


\* Solder terminal: identical outer dimensions

Screw-on mounting from rear side with metal flange



Snap-in mounting from front side

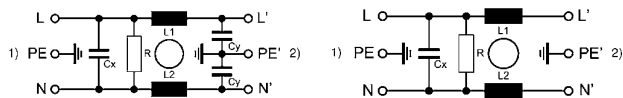


## Technical Data of Filter-Components

Rated Current [A]	Filter-Type	Inductances L [mH]	Capacitance CX [nF]	Capacitance CY [nF]	R [MΩ]
16	Standard Version	2 x 0.3	100	2.2	1
16	Medical Version (M5)	2 x 0.3	100	-	1
16	Medical Version (M80)	2 x 0.3	100	0.47	1

Diagrams

Standard or medical version (M80)      Medical version



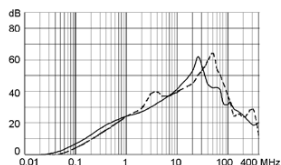
1) Line  
2) Load

1) Line  
2) Load

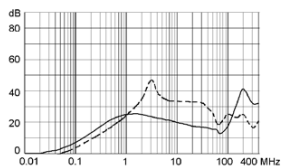
Attenuation Loss

. . . . . 0.1/100Ω differential mode      ..... 100/0.1Ω differential mode      - - - - differential mode      \_\_\_\_ common mode

Standard version  
20 A



Medical version (M5)  
20 A



Variants

Rated Current IEC [A]	Rated Current UL [A]	Filter-Type	Panel mounting	Mounting side	Terminal	Capacitor	Order Number
16	20	Standard Version	Screw	Front-Side	Quick connect terminals 6.3 x	X2	C20F.0101
16	20	Standard Version	Screw	Front-Side	Quick connect terminals 6.3 x	X1	C20F.0103
16	20	Standard Version	Screw	Front-Side	Solder terminals	X2	C20F.0001
16	20	Standard Version	Screw	Front-Side	Solder terminals	X1	C20F.0003
16	20	Standard Version	Screw	Rear-Side	Flexible wire AWG1414 AWG	X2	C20F.0221
16	20	Standard Version	Screw	Rear-Side	Flexible wire AWG1414 AWG	X1	C20F.0223
16	20	Standard Version	Screw	Rear-Side	Quick connect terminals 6.3 x	X2	C20F.0121
16	20	Standard Version	Screw	Rear-Side	Quick connect terminals 6.3 x	X1	C20F.0123
16	20	Standard Version	Screw	Rear-Side	Solder terminals	X2	C20F.0021
16	20	Standard Version	Screw	Rear-Side	Solder terminals	X1	C20F.0023
16	20	Standard Version	Snap-in	Front-Side	Quick connect terminals 6.3 x	X2	C20F.0111
16	20	Standard Version	Snap-in	Front-Side	Quick connect terminals 6.3 x	X1	C20F.0113
16	20	Standard Version	Snap-in	Front-Side	Solder terminals	X2	C20F.0011
16	20	Standard Version	Snap-in	Front-Side	Solder terminals	X1	C20F.0013
16	20	Medical Version (M5)	Screw	Front-Side	Quick connect terminals 6.3 x	X2	C20F.0102
16	20	Medical Version (M5)	Screw	Front-Side	Quick connect terminals 6.3 x	X1	C20F.0104
16	20	Medical Version (M5)	Screw	Front-Side	Solder terminals	X2	C20F.0002
16	20	Medical Version (M5)	Screw	Front-Side	Solder terminals	X1	C20F.0004
16	20	Medical Version (M5)	Screw	Rear-Side	Flexible wire AWG1414 AWG	X2	C20F.0222
16	20	Medical Version (M5)	Screw	Rear-Side	Flexible wire AWG1414 AWG	X1	C20F.0224
16	20	Medical Version (M5)	Screw	Rear-Side	Quick connect terminals 6.3 x	X2	C20F.0122
16	20	Medical Version (M5)	Screw	Rear-Side	Quick connect terminals 6.3 x	X1	C20F.0124
16	20	Medical Version (M5)	Screw	Rear-Side	Solder terminals	X2	C20F.0022

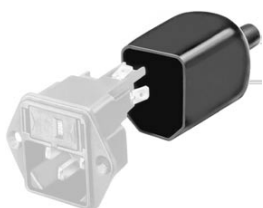
Rated Current IEC [A]	Rated Current UL [A]	Filter-Type	Panel mounting	Mounting side	Terminal	Capacitor	Order Number
16	20	Medical Version (M5)	Screw	Rear-Side	Solder terminals	X1	C20F.0024
16	20	Medical Version (M5)	Snap-in	Front-Side	Quick connect terminals 6.3 x	X2	C20F.0112
16	20	Medical Version (M5)	Snap-in	Front-Side	Quick connect terminals 6.3 x	X1	C20F.0114
16	20	Medical Version (M5)	Snap-in	Front-Side	Solder terminals	X2	C20F.0012
16	20	Medical Version (M5)	Snap-in	Front-Side	Solder terminals	X1	C20F.0014
16	20	Medical Version (M80)	Screw	Rear-Side	Quick connect terminals 6.3 x	X2	C20F.0125
16	20	Medical Version (M80)	Screw	Rear-Side	Quick connect terminals 6.3 x	X1	C20F.0126
16	20	Medical Version (M80)	Screw	Rear-Side	Solder terminals	X2	C20F.0025
16	20	Medical Version (M80)	Screw	Rear-Side	Solder terminals	X1	C20F.0026

Wire length: 150 mm

**Packaging unit** 20 Pcs

### Accessories

#### Description



**Assorted Covers**  
Rear Cover

0859.0047



**Wire Harness**  
Wire harness for SCHURTER products



**Cord retaining kits**  
Cord retaining strain relief

Countersunk, K

4700.0010

Flat head, L

4700.0011

### Mating Outlets/Connectors

#### Category / Description

[Connector Overview complete](#)



IEC Connector C19, Rewireable, Straight

0104

IEC Connector C19, Rewireable, Angled

1651

IEC Connector C19, Rewireable, Straight

1652

IEC Connector C19, Rewireable, Angled

4790

IEC Connector C19, Rewireable, Straight

4795

[Connector further types to C20F](#)



[Power Cord Overview complete](#)

Power Cord with IEC Connector C19, Straight

1654

[Power Cord further types to C20F](#)

[Power Supply or Interconnection Cord Overview complete](#)

Divers Power Supply and Interconnection Cords 16 A

Kabelverbindung/16 A

[Power Supply or Interconnection Cord further types to C20F](#)