

REMOVE RESISTOR	TAM 9/16/93	5
DESCRIPTION	APP'D./DATE	REV

SAFETY ORGANIZATION(S):

THIS FILTER HAS BEEN FORMALLY RECOGNIZED, CERTIFIED OR APPROVED BY THE LISTED AGENCY, THEREFORE, ALL TEST/REQUIREMENTS SPECIFIED IN THE LATEST REVISION OF THE FOLLOWING AGENCY STANDARDS HAVE BEEN MET:

UL 498
CSA 22.2, NO.0,0,4,8

OPERATING SPECIFICATIONS:

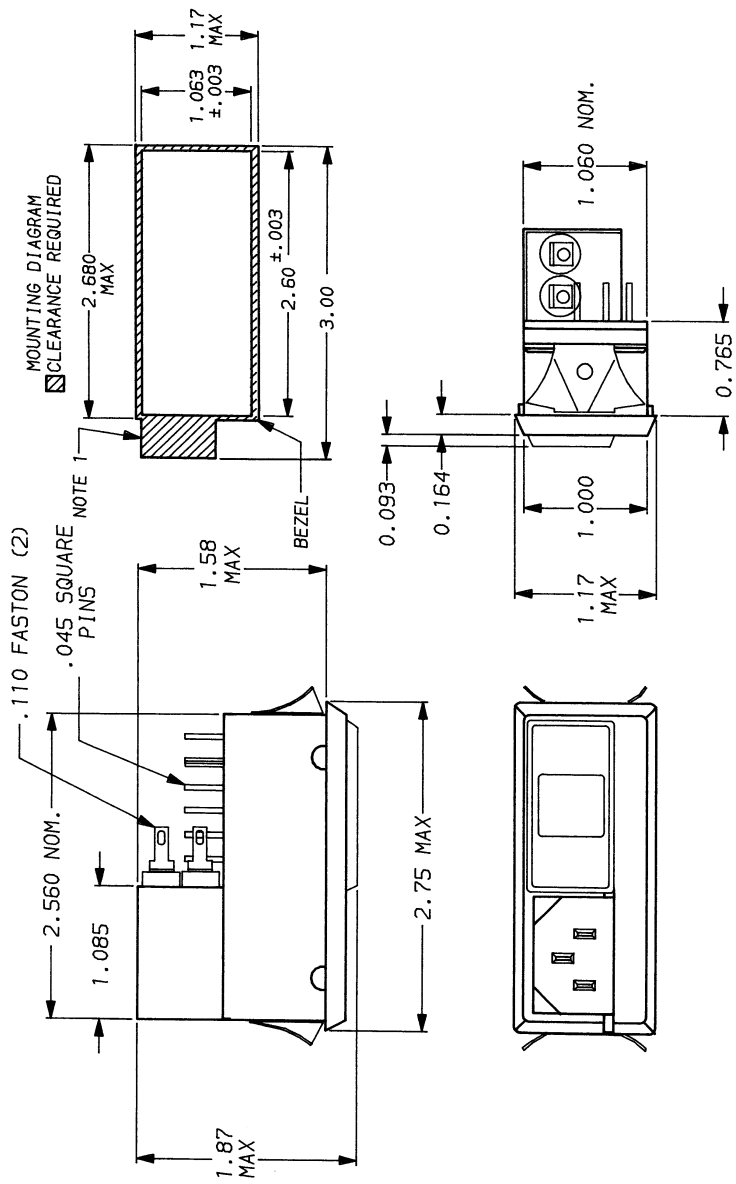
LINE VOLTAGE/CURRENT:
6 AMP., 120/250 VAC
50-60Hz
MAX. LEAKAGE CURRENT, EACH LINE TO GROUND
.25 mA @ 120VAC 60 Hz
.50 mA @ 250VAC 50 Hz

OPERATING AMBIENT TEMP. RANGE:
-10°C TO +40°C @ RATED CURRENT, I_r
IN AN AMBIENT, T_a, HIGHER THAN 40°C, THE MAXIMUM OPERATING CURRENT, I_o, IS AS FOLLOWS:
 $I_o = I_r \sqrt{\frac{85-T_a}{45}}$

RELIABILITY SPECIFICATIONS:

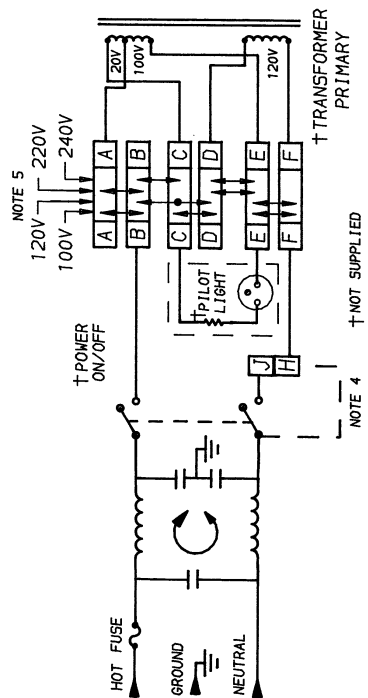
STORAGE TEMPERATURE:
-40°C TO +85°C
HUMIDITY:
21 DAYS @ 40°C 95% RH
CURRENT OVERLOAD TEST:
6 TIMES RATED CURRENT FOR 8 SECONDS
TEST SPECIFICATIONS:
INDUCTANCE:
.465 mH NOMINAL
CAPACITANCE, (MEASURED @ 1 KHZ, 0.25 VAC MAX., 25°C ±1°C)
LINE TO GROUND:
.006µF ±20%
LINE TO LINE:
.011µF ±20%

LINE/GROUND AND LINE/LINE INSULATION RESISTANCE
6000 MΩ (MIN) AT 100 VDC
20°C AND 50% RH



NOTES:

- FUSE COVER DOOR SHOWN IN OPEN POSITION
- STANDARD UNITS MOUNT IN PANEL THICKNESS OF .060" - .080"
- STANDARD MOUNTING CLIPS SOLD SEPARATELY FOR PANEL THICKNESSES OF .060" OR .080"
- JUMPER REQUIRED IF ONLY SPST POWER SWITCH IS USED.
- USE ONLY 120V AND 240V POSITIONS FOR 6J4-2



50Ω-50Ω	(MINIMUM)	INSERTION LOSS					
FREQUENCY	.15	.5	1.0	5.0	10	20	30
COMMON	9	20	27	42	45	48	48
dB							

This document is proprietary to CORCOM INC. and is not to be reproduced nor used for manufacturing purposes except on CORCOM's order or prior written consent.

TOLERANCE EXCEPT AS NOTED
DECIMAL: .XXX .XX .X ANGLES ± 1°
ENGLISH: ±.015
METRIC: ±

CORCOM
LIBERTYVILLE, IL 60048

POWER LINE FILTER

SCALE: DATE: DRG. NO. REV.
NTS: 8-10-90 6J4 & 6J4-2,05
DRW. BY: CFW CFW