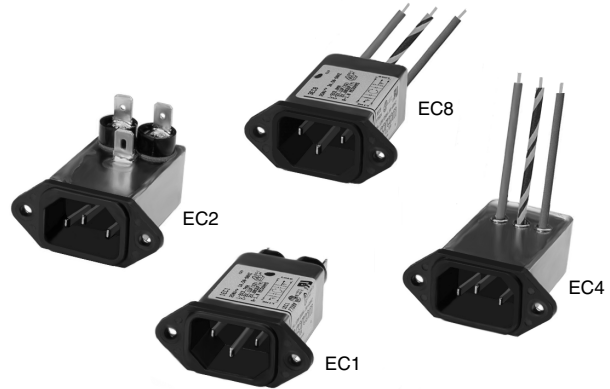


High Performance Compact RFI Power Line Filters with IEC Connectors

EC Series



UL Recognized
CSA Certified
VDE Approved

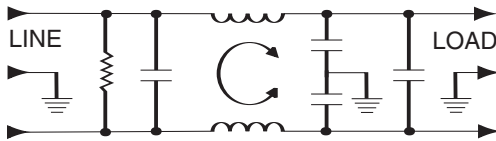


EC Series

The EC series RFI power line filters provide the highest attenuation of any standard filter available in a package size limited by the dimensions of the integral IEC connector. These filters combine high common-mode inductance with high differential-mode capacitance and minimal parasitic elements, for effective attenuation of line-to-ground and line-to-line noise across the frequency range.

Performance and applications are similar to those of the ED series, but with higher differential-mode performance in most applications, due to an additional capacitor on the load side.

Electrical Schematic



Resistor location for reference only.

Specifications

Maximum leakage current, each line-to-ground

@ 120 VAC 60 Hz:	.22 mA
@ 250 VAC 50 Hz:	.38 mA

Hipot rating (one minute):

line-to-ground	1500 VAC
line-to-line	1450 VDC

Operating frequency:

50/60 Hz

Rated voltage (max.):

250 VAC

Minimum insertion loss in dB:

Line-to-ground in 50 ohm circuit

Current Rating	Frequency-MHz					
	.15	.5	1	5	10	30
1A	25	35	40	50	50	50
3A	20	30	37	47	48	50
6A	15	22	25	40	45	50
10A	7	14	20	35	39	48

Line-to-line in 50 ohm circuit

Current Rating	Frequency-MHz						
	.15	.5	1	5	10	20	30
EC1, EC2, EC8							
1A	5	35	50	60	60	40	40
3A	5	25	45	60	55	34	34
6A	10	10	40	65	60	40	40
10A	10	10	27	65	56	38	38

EC4

1A	5	35	50	60	60	33	33
3A	5	30	45	60	55	34	34
6A	10	10	40	65	60	33	33

Line Cord

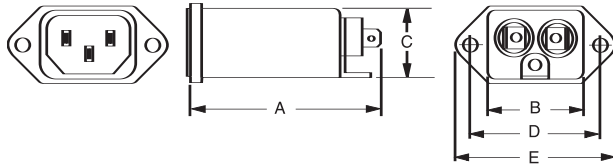
Line Cord No. GA400:

7 1/2 foot, 3-conductor line cord to mate with EC series.

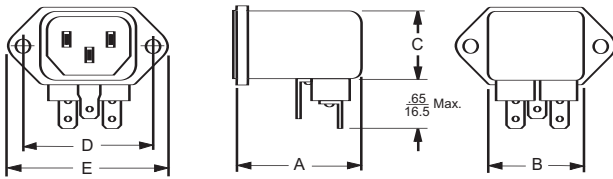
EC Series

Case Styles

EC1



EC2

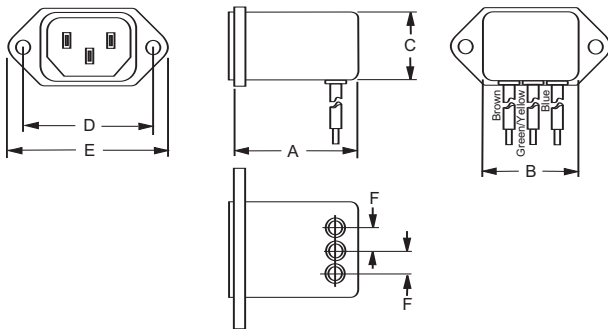


Typical dimensions:

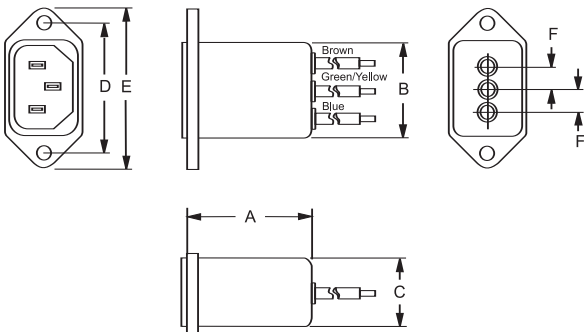
Terminals: .250 [6.35] (3)
Slot: .07 x .16 [1.8 x 4.1]

Holes: .07 [1.8] Dia.(2)

EC4



EC8



Typical dimensions:

Wire Leads: 4.0 [101.6] Min. 18 AWG

Mounting holes: .132 [3.35] Dia. (2)

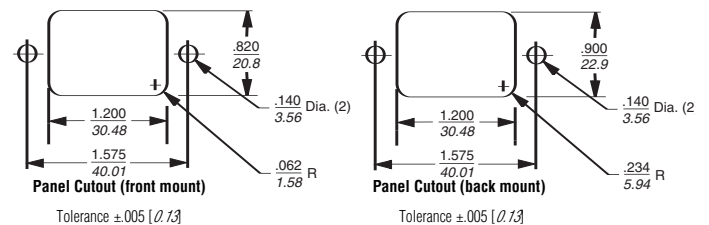
Case Dimensions

Part No.	A (max)	B (max)	C (max)	D $\pm .015$ $\pm .38$	E (max)	F (ref)
1EC1	2.62 66.5	1.19 30.2	0.81 20.6	1.575 40.01	1.98 50.3	—
1EC2	1.97 50.0	1.19 30.2	0.85 21.6	1.575 40.01	1.98 50.3	—
1EC4	1.97 50.0	1.19 30.2	0.85 21.6	1.575 40.01	1.98 50.3	.295 7.5
1EC8	1.98 50.3	1.19 30.2	0.81 20.6	1.575 40.01	1.98 50.3	.295 7.5
3EC1	2.62 66.5	1.19 30.2	0.81 20.6	1.575 40.01	1.98 50.3	—
3EC2	1.97 50.0	1.19 30.2	0.85 21.6	1.575 40.01	1.98 50.3	—
3EC4	1.97 50.0	1.19 30.2	0.85 21.6	1.575 40.01	1.98 50.3	.295 7.5
3EC8	1.98 50.3	1.19 30.2	0.81 20.6	1.575 40.01	1.98 50.3	.295 7.5
6EC1	2.62 66.5	1.19 30.2	0.81 20.6	1.575 40.01	1.98 50.3	—
6EC2	1.97 50.0	1.19 30.2	0.85 21.6	1.575 40.01	1.98 50.3	—
6EC4	1.97 50.0	1.19 30.2	0.85 21.6	1.575 40.01	1.98 50.3	.295 7.5
6EC8	1.98 50.3	1.19 30.2	0.81 20.6	1.575 40.01	1.98 50.3	.295 7.5
10EC1	2.62 66.5	1.19 30.2	0.81 20.6	1.575 40.01	1.98 50.3	—

Part Numbers

1EC1	6EC1
1EC2	6EC2
1EC4	6EC4
1EC8	6EC8
3EC1	10EC1
3EC2	
3EC4	
3EC8	
Line Cord No.	GA400
Insulating Boot No.	FA601

Recommended Panel Cutouts



Note 1: EC1 and EC8 allow front or back mounting.

Note 2: EC2 and EC4 allow back mounting only.