

SAFETY ORGANIZATION(S)

THIS FILTER HAS BEEN FORMALLY RECOGNIZED, CERTIFIED OR APPROVED BY THE LISTED AGENCY. THEREFORE, ALL TEST/REQUIREMENTS SPECIFIED IN THE LATEST REVISION OF THE FOLLOWING AGENCY STANDARDS HAVE BEEN MET.

- UL 1283
- CSA 22.2, NO. 0.4, 8
- VDE 565-3
- SEV 1055/TP1977/5.1.1

OPERATING SPECIFICATIONS

- LINE VOLTAGE/CURRENT, 6 AMP., 120/250 VAC
- 50-60Hz
- 30°C
- MAX. CASE RISE @ RATED CURRENT, .25mA at 120V 60 Hz
- MAX. LEAKAGE CURRENT, EACH LINE TO GROUND, .48 mA at 250V 50 Hz
- OPERATING AMBIENT TEMP. RANGE, -10°C TO +40°C @ RATED CURRENT, I_r
- IN AN AMBIENT, T_a, HIGHER THAN 40°C, THE MAXIMUM OPERATING CURRENT, I_o, IS AS FOLLOWS:

$$I_o = I_r \sqrt{\frac{85 - T_a}{45}}$$

RELIABILITY SPECIFICATIONS

- STORAGE TEMPERATURE, -40°C TO +85°C
- HUMIDITY, 21 DAYS @ 40°C 95% RH
- CURRENT OVERLOAD TEST, 6 TIMES RATED CURRENT FOR 8 SECONDS

TEST SPECIFICATIONS

- INDUCTANCE, .46 mH NOMINAL
- CAPACITANCE, (MEASURED @ 1 KHz, 0.25 VAC MAX., 25°C ±1°C) .005µF ±20%
- LINE TO GROUND, .011µF ±20%
- LINE TO LINE, 1.5 MΩ
- DISCHARGE RESISTOR, 6000 MΩ (MIN) AT 100 VDC
- INSULATION RESISTANCE (W/O DISCHARGE RESISTOR) 20°C AND 50% RH

RECOMMENDED RECEIVING INSPECTION HIPOT.

- LINES TO GROUND, 2250 VDC FOR 1 MINUTE
- LINE TO LINE, 1450 VDC FOR 1 MINUTE

FILTER APPROVAL, THE BEST WAY TO SELECT AND QUALIFY A FILTER IS FOR YOUR ENGINEERING TO TEST THE UNIT IN YOUR EQUIPMENT.

TOLERANCE EXCEPT AS NOTED

DECIMAL, .XXX	.XX	.X	ANGLES ±1°
ENGLISH, ±.015			
METRIC, ±			

MATERIAL, AS SUPPLIED

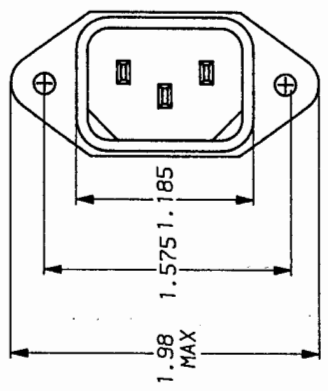
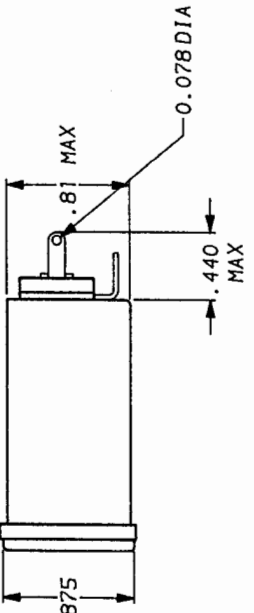
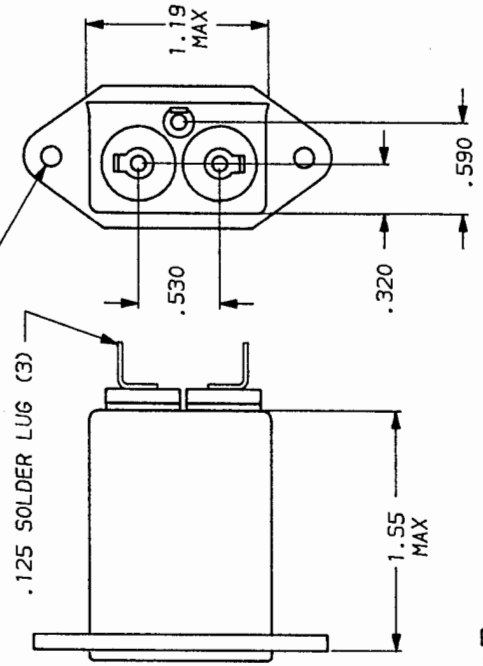
FINISH, AS SUPPLIED

50a - 50a (MINIMUM) INSERTION LOSS

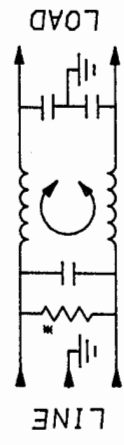
FREQUENCY MHz	1.5	1.0	5.0	10	20	30
COMMON	9	20	25	41	45	47
dB						

This document is proprietary to CORCOM INC. and is not to be reproduced nor used for manufacturing purposes except on CORCOM's order or prior written consent.

.132±.01 DIA



PANEL CUTOUT
 TOLERANCE ±.005
 FRONT MOUNT



corcom
 LIBERTYVILLE, IL 60048

POWER LINE FILTER

SCALE: NTS 9-12-89
 DATE: 9-12-89
 DRAW. BY: TDL
 PARTIAL NO: CW
 ORG. NO.: 6EF1.06
 REV.: 06

*RESISTOR ADDED TO PRODUCT BUILT AFTER 3-30-92 (9212).