

**SAFETY ORGANIZATION(S).**

THIS FILTER HAS BEEN FORMALLY RECOGNIZED, CERTIFIED OR APPROVED BY THE LISTED AGENCY. THEREFORE, ALL TEST/REQUIREMENTS SPECIFIED IN THE LATEST REVISION OF THE FOLLOWING AGENCY STANDARDS HAVE BEEN MET.

- UL 1283
- CSA 22.2, NO. 0.0.4.8
- VDE 565-3
- SEV 1055/TP1977/5.1.1

**OPERATING SPECIFICATIONS.**

- LINE VOLTAGE/CURRENT: 3 AMP., 120/250 VAC
- LINE FREQUENCY: 3 AMP./40°C, 250 VAC 50-60Hz
- MAX. CASE RISE & RATED CURRENT: .25mA at 120V 60 Hz
- MAX. LEAKAGE CURRENT, EACH LINE TO GROUND: .48 mA at 250V 50 Hz
- OPERATING AMBIENT TEMP. RANGE: -10°C TO +40°C @ RATED CURRENT, I<sub>r</sub>
- IN AN AMBIENT, T<sub>a</sub>, HIGHER THAN 40°C, THE MAXIMUM OPERATING CURRENT, I<sub>o</sub>, IS AS FOLLOWS:

$$I_o = I_r \sqrt{\frac{85 - T_a}{45}}$$

**RELIABILITY SPECIFICATIONS.**

- STORAGE TEMPERATURE: -40°C TO +85°C
- HUMIDITY: 21 DAYS @ 40°C 95% RH
- CURRENT OVERLOAD TEST: 6 TIMES RATED CURRENT FOR 8 SECONDS

**TEST SPECIFICATIONS.**

- INDUCTANCE: 1.0 mH NOMINAL
- CAPACITANCE: (MEASURED @ 1 KHz, 0.25 VAC MAX., 25°C ±1°C) LINE TO GROUND: .005µF ±20%
- LINE TO LINE: .011µF ±20%
- DISCHARGE RESISTOR: 1.5 MΩ
- LINE/GROUND AND LINE/LINE INSULATION RESISTANCE: 6000 MΩ (MIN) AT 100 VDC
- (W/O DISCHARGE RESISTOR) 20°C AND 50% RH

**RECOMMENDED RECEIVING INSPECTION HIPOTEST.**

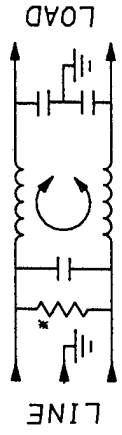
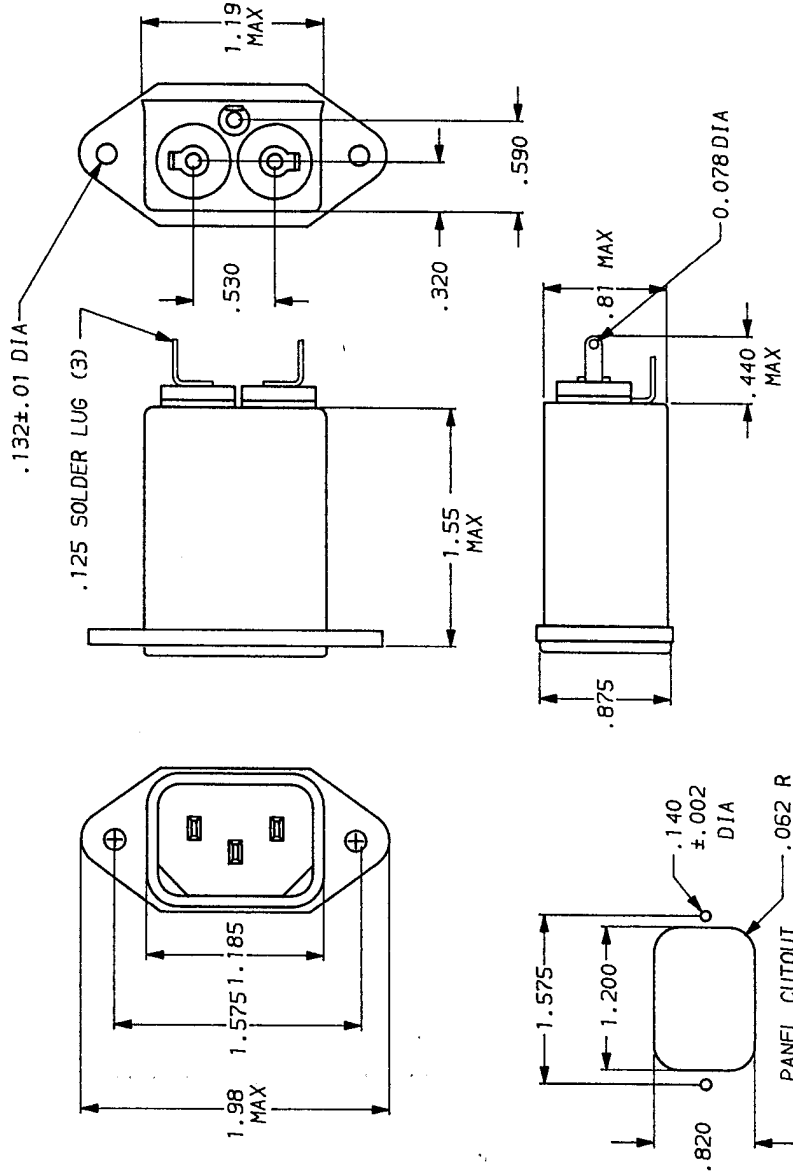
- LINES TO GROUND: 2250 VDC FOR 1 MINUTE
- LINE TO LINE: 1450 VDC FOR 1 MINUTE

**FILTER APPROVAL.**  
 THE BEST WAY TO SELECT AND QUALIFY A FILTER IS FOR YOUR ENGINEERING TO TEST THE UNIT IN YOUR EQUIPMENT.

**50n - 50n (MINIMUM) INSERTION LOSS**

FREQUENCY MHz	.15	1.0	5.0	10	20	30
COMMON	15	25	30	45	50	54

This document is proprietary to CORCOM INC. and is not to be reproduced nor used for manufacturing purposes except on CORCOM's order or prior written consent.



\*RESISTOR ADDED TO PRODUCT BUILT AFTER 3-30-92 (9212).

**corcom**  
 LIBERTYVILLE, IL 60048

**POWER LINE FILTER**

SCALE: NTS  
 DATE: 9-12-89  
 DRG. NO.: 3EF1.06  
 REV. 6  
 TDL: CW

TOLERANCE EXCEPT AS NOTED  
 DECIMAL: .XXX .XX .X ANGLES ± 1°  
 ENGLISH: ±.015  
 METRIC: ±  
 MATERIAL: AS SUPPLIED  
 FINISH: AS SUPPLIED