

<b>CUSTOMER DRAWING</b>		
<b>CATALOG # 15SRBX8-S</b>		
ECN #	APPRVD.	DATE
08-010107	ELC	08MAY08

**SAFETY ORGANIZATIONS**

THIS FILTER IS A VERSION OF THE 15SRB8-S, WHICH HAS BEEN FORMALLY RECOGNIZED, CERTIFIED OR APPROVED BY THE LISTED AGENCY. ALL TEST/REQUIREMENTS SPECIFIED IN THE LATEST REVISION OF THE FOLLOWING AGENCY STANDARDS HAVE BEEN MET:

- UL RECOGNIZED: UL 1283 (REF. 15SRB8-S)
- CSA CERTIFIED: CSA 22.2, NO. 8 (REF. 15SRB8-S)
- VDE APPROVED: EN 6093000 (REF. 15SRB8-S)

**OPERATING SPECIFICATIONS**

LINE CURRENT/VOLTAGE: 15 AMP, 120/250 VAC,  
10 AMP/40°C, 250 VAC

LINE FREQUENCY: 50-60Hz

MAXIMUM LEAKAGE CURRENT,  
EACH LINE TO GROUND:

19.2 μA @ 120V 60Hz  
33.2 μA @ 250V 50Hz

OPERATING AMBIENT TEMP. RANGE: -10°C TO +40°C @ RATED CURRENT, I<sub>r</sub>.

IN AN AMBIENT, T<sub>0</sub>, HIGHER THAN 40°C, THE MAXIMUM OPERATING CURRENT, I<sub>0</sub>, IS AS FOLLOWS:

$$I_0 = I_r \sqrt{\frac{100 - T_0}{60}}$$

**RELIABILITY SPECIFICATIONS:**

STORAGE TEMPERATURE: -40°C TO +85°C  
HUMIDITY: 21 DAYS @ 40°C 95% RH.  
CURRENT OVERLOAD TEST: 6 TIMES I<sub>r</sub> FOR 8 SECONDS

**TEST SPECIFICATIONS:**

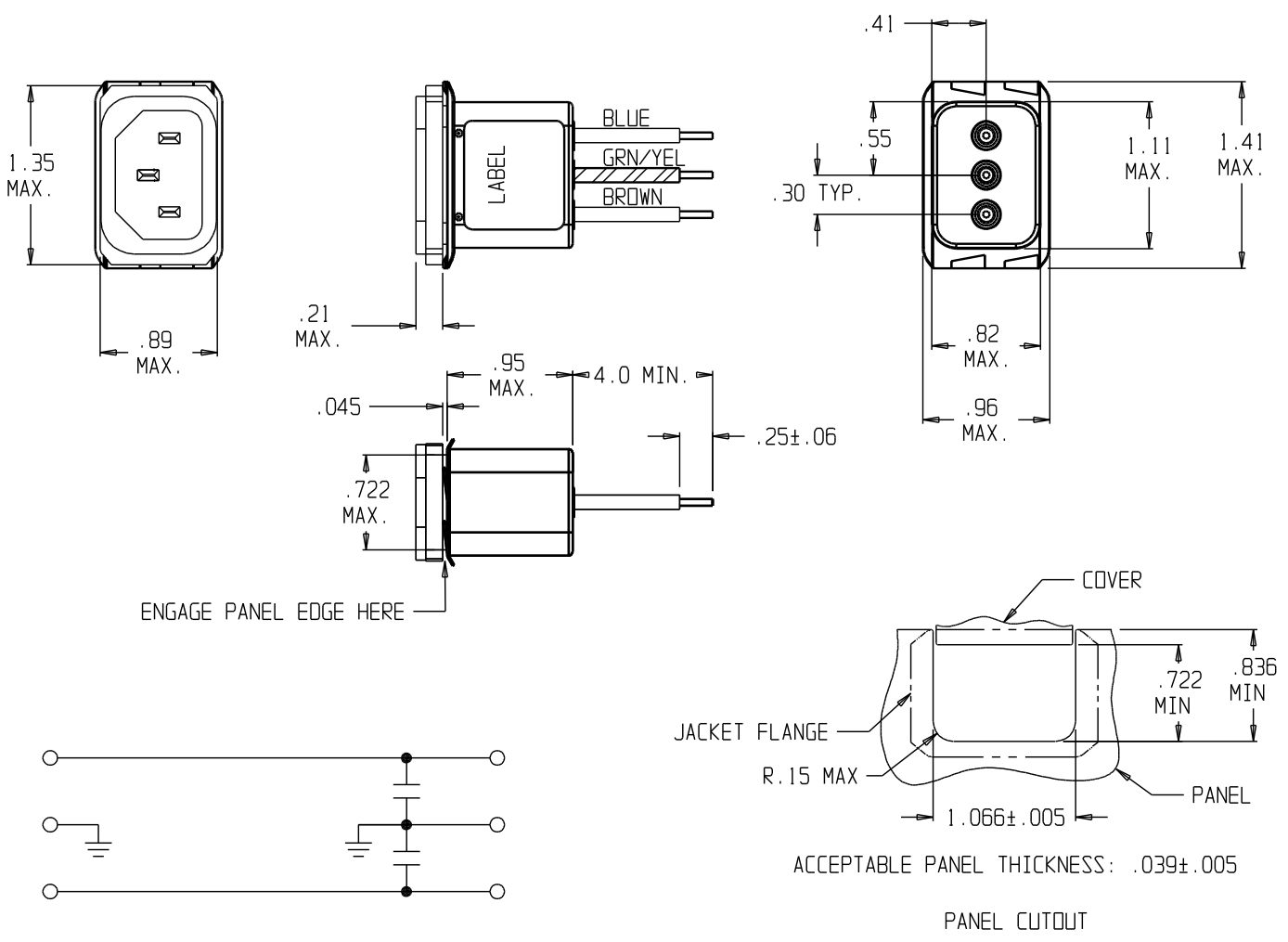
INDUCTANCE: 0 mH NOMINAL  
CAPACITANCE: (MEASURED @ 1KHz, 0.250VAC MAX., 25°C±1°C)  
LINE TO GROUND: 220 pF ±20%  
LINE TO LINE: 0.0 pF  
DISCHARGE RESISTOR: NONE  
L/G AND L/L I.R.: NONE  
NO DISCHARGE RESISTOR: 6000MΩ (MIN.) @ 100VDC, 20°C AND 50% RH

**RECOMMENDED RECEIVING INSPECTION HIPOT:**

LINE TO GROUND: 1500 VAC FOR 1 MINUTE  
LINE TO LINE: 1450 VDC FOR 1 MINUTE

**FILTER APPROVAL:**

THE BEST WAY TO SELECT AND QUALIFY A FILTER IS FOR YOUR ENGINEERING TO TEST THE UNIT IN YOUR EQUIPMENT.



<b>50Ω - 50Ω (MINIMUM) INSERTION LOSS</b>										<b>THIRD ANGLE PROJECTION</b>		<b>Tyco Electronics</b>	
FREQUENCY MHz	1	5	10	50	100	300					UNLESS OTHERWISE SPECIFIED, TOLERANCE TO BE ±.025	CORCON PRODUCTS, 620 S. BUTTERFIELD RD. MUNDELEIN IL 60060	
COMMON dB	/	/	1	6	17	19	/	/	/	/	MATERIAL & FINISH: AS SUPPLIED	<b>POWER LINE FILTER</b>	
DIFF. dB	/	/	/	/	/	/	/	/	/	/	THIS INFORMATION IS CONFIDENTIAL AND PROPRIETARY TO TYCO ELECTRONICS CORPORATION AND ITS WORLDWIDE SUBSIDIARIES AND AFFILIATES. IT MAY NOT BE DISCLOSED TO ANYONE OTHER THAN TYCO ELECTRONICS PERSONNEL, WITHOUT WRITTEN AUTHORIZATION FROM TYCO ELECTRONICS CORPORATION, HARRISBURG, PENNSYLVANIA USA.	TYCO ELECTRONICS PART NO. 5-1609987-9	REV. 2
											SCALE: NTS	DATE: 11JAN08	CATALOG NO. 15SRBX8-S
											DRW. BY: SD	DRTG: ELC	