

DC-Filter, single pole

new

**Description**

- Chassis:  
Screw-on mounting, from top
- Line-filter in standard version, 1-stage, standard attenuation
- Effective against symmetrical and asymmetrical interferences in the frequency range from 100kHz up to 30MHz

**Approvals**

- VDE Certificate Number: 40021953
- UL File Number: E72928

**Characteristics**

- Optimized for DC supplied applications
- Qualified for use in equipment according IEC/EN 60950

**Other versions on request**

- Other terminal combinations
- Version with wire connection

**References****Weblinks**

General Product Information, Approvals, RoHS, CHINA-RoHS, Mating Connectors, e-Store, SCHURTER-Stock-Check, Distributor-Stock-Check, Accessories

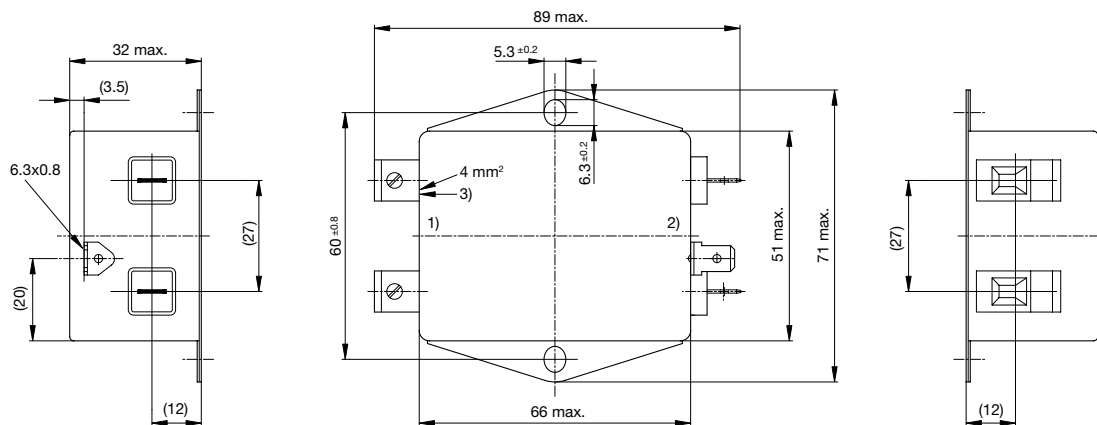
**Technical Data**

Ratings IEC	5 - 30A @ Ta 40 °C / 43/80VDC
Ratings UL/CSA	5 - 30A @ Ta 40 °C / 43/80VDC
Dielectric Strength	> 1.7 kVDC between Vss-GND > 2.7 kVDC between Vss/GND-PE Test voltage (2 sec)
Allowable Operation Temp.	-25 °C to 100 °C
Climatic Category	25/100/21 acc. to IEC 60068-1
Protection Class	Suitable for appliances with protection class 1 acc. to IEC 61140
Terminal	Quick connect terminals 6.3 x 0.8 mm or screw terminals
Material: Housing	Aluminum, UL 94V-0

Line Filter	Industrial Version, IEC 60939, IEC 60601-1, UL 1283, UL 544, EN 133 200, CSA C22.2 no. 8 <a href="#">Technical details</a>
MTBF	> 200'000h acc. to MIL-HB-217 F

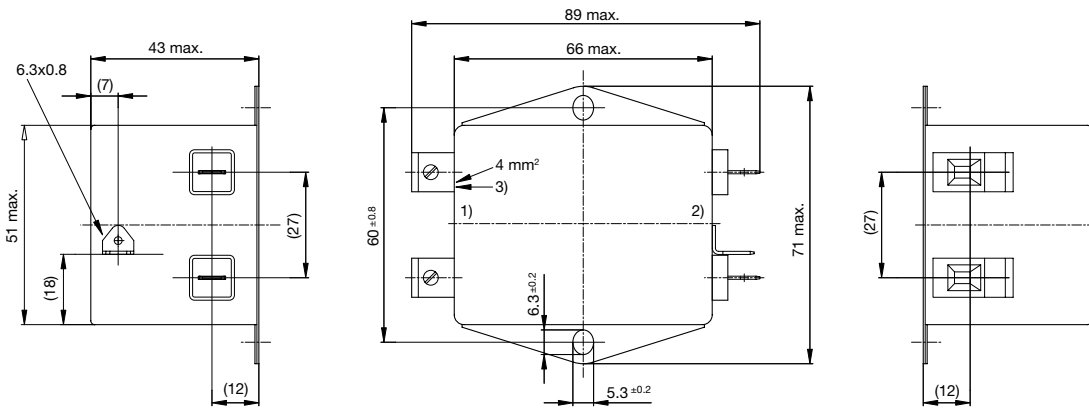
**Dimensions**

Case 85-2



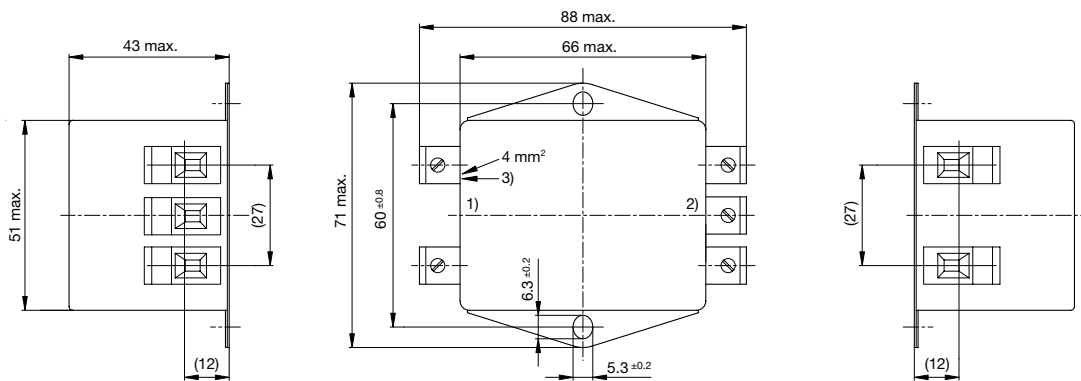
- 1) Line
- 2) Load
- 3) I/O connections torque 0.6...0.8 Nm

Case 86-2



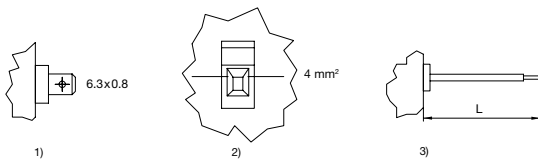
- 1) Line
- 2) Load
- 3) I/O connections torque 0.6...0.8 Nm

Case 86-6



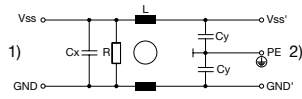
- 1) Line
- 2) Load
- 3) I/O connections torque 0.6...0.8 Nm

Terminal options



- 1) Quick connect terminals 6.3x0.8 (only up to 24A)
- 2) Screw clamp 4mm<sup>2</sup>
- 3) Flexible wires

Diagrams

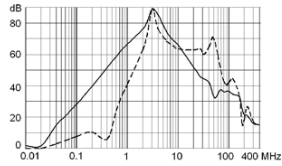


- 1) Line
- 2) Load

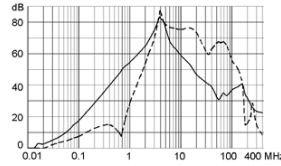
**Attenuation Loss** . . . . . 0.1/100Ω differential mode ..... 100/0.1Ω differential mode - - - differential mode \_\_\_\_ common mode

Standard version

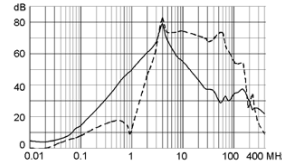
5 A



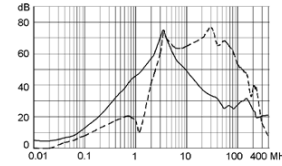
10 A



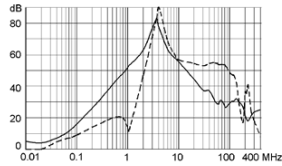
15 A



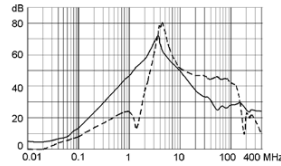
20 A



24 A



30 A



Variants

Rated Current [A]	L [mH]	Cx (X2) [nF]	Cy (Y2) [nF]	R [MΩ]	Weight [g]	Housing	Packaging unit	Order Number
5	2 x 0.75	100	100	1	175	85-2	10	5500.2223
10	2 x 0.2	100	100	1	175	85-2	10	5500.2224
15	2 x 0.1	100	100	1	175	85-2	10	5500.2225
20	2 x 0.07	100	100	1	175	85-2	10	5500.2226
24	2 x 0.14	100	100	1	255	86-2	10	5500.2227
30	2 x 0.08	100	100	1	265	86-6	10	5500.2228